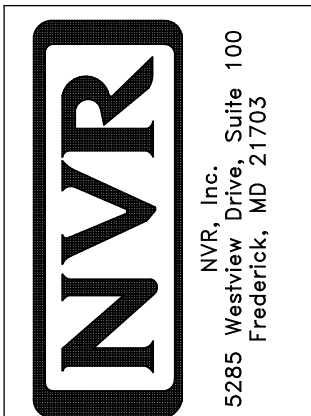


1 PLUMBING PLAN
 A-5 SCALE: 1/4" = 1'-0"

NOTE
 RADON REMEDIATION
 RADON LOOP:
 - (4") PERFORATED HDPE "LOOP"
 - MUST BE PLACED IN STONE BED SLIGHTLY HIGHER THAN ANY INTERIOR DRAINTILE
 - LOOP TO BE SEPARATE FROM ANY DRAINTILE ELEMENTS
 - TO BE CORRUGATED HDPE PIPE
 - SCREENS TO BE INSTALLED THROUGH LOOP AT TEE UP INTO STACK
 STACK REQUIREMENTS:
 - 3" PVC STACK (4" IF BASEMENT IS GREATER THAN 2200 SQFT.)
 - NO PART OF STACK IS TO BE HORIZONTAL
 - PIPE TO BE PHYSICALLY LABELED IN THE FIELD AS "RADON VENT" OR OTHER
 JURISDICTIONALLY REQUIRED LANGUAGE (ON EVERY LEVEL OF HOUSE)
 - ROOF TERMINATION TO BE IN TOP 1/3 OF ROOF
 - SCREEN INSTALLED TO KEEP PESTS OUT OF RADON VENT AT ROOF TERMINATION

SHEET NO.	A-5	OPTION DESCRIPTION	25
MODEL	LEHIGH	SET NO.	LGH00
DRAWING TITLE	PLUMBING PLAN	VERSION	01
OPTION		DRAWN BY	
		DATE:	
		OPTION	



© NVR, Inc. expressly reserves the right to modify or amend these plans at any time without notice. These plans are not to be reproduced, changed or copied in any way without the written consent of NVR, Inc.

DIV-COMM-LOT-UNIT	DCY-YR-5096
COMM-LOT	YLGES OF WINDING CREEK MONT CO - 5096
STREET ADDRESS	476 FAIRWATER SPRINGS DRIVE
CITY	CENTERVILLE
STATE	OH
ZIP	45459

LEGEND	
	BEARING WALL
	NON BEARING WALL
	INDICATES BEARING FROM POINT-LOAD ABOVE
	JACKS
	BEAM/HEADER
	PAD FOOTING
	STEEL COLUMN
	PORTAL FRAME
	JOIST/TRUSS
	LVL
	ENGINEERING PAGE NUMBER

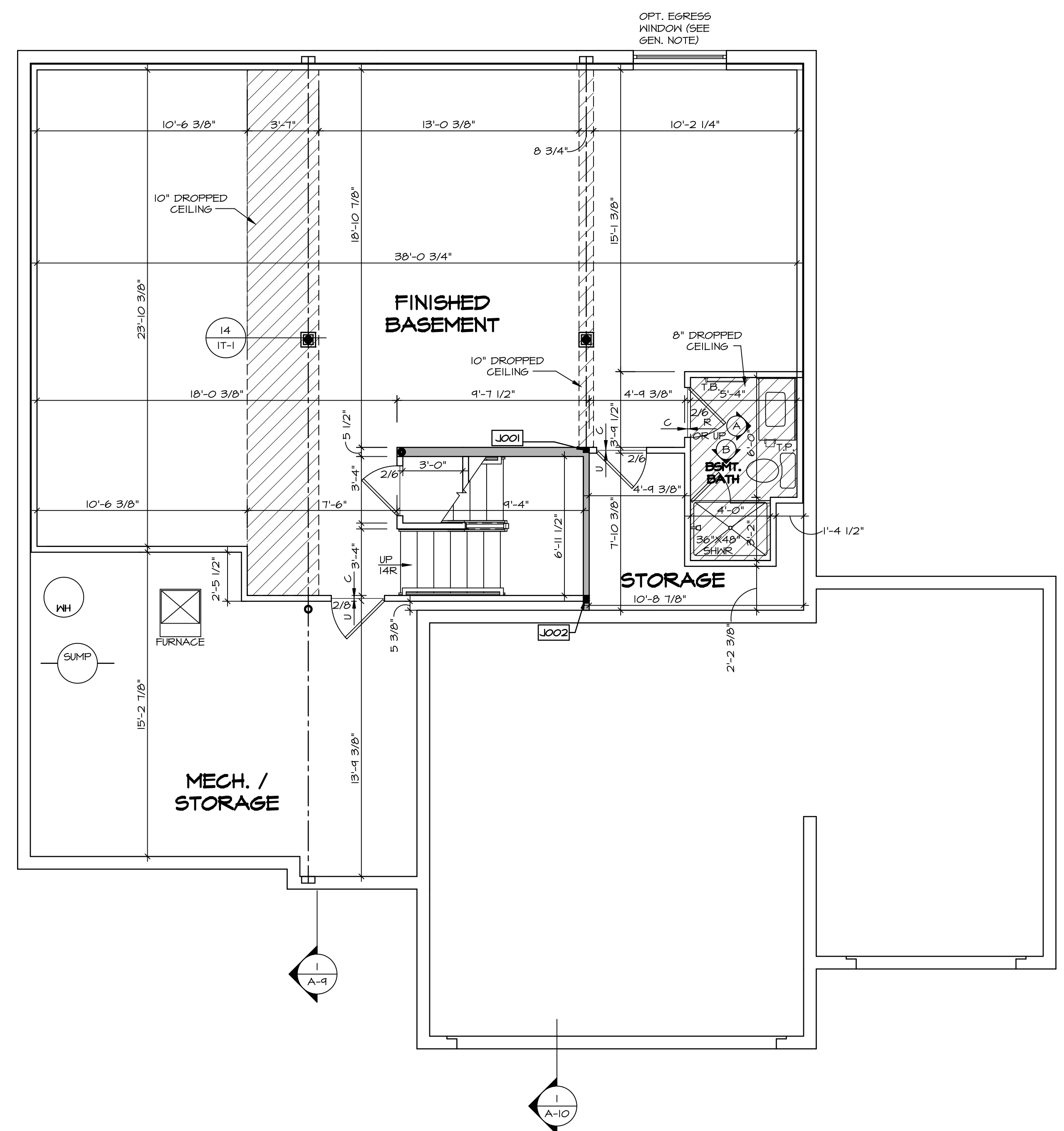
SEE FC DETAILS FOR FRAMING CONNECTORS

- FLOOR PLAN NOTES**
- ALL HEADERS ARE (2) 2x6 w/ 2x4 WALLS OR (3) 2x6 w/ 2x6 WALLS, UNLESS OTHERWISE NOTED.
 - ALL HEADERS TO HAVE (1) 2x4 OR 2x6 JACK AND KING STUD EACH END, UNLESS OTHERWISE NOTED.
 - ALL EXTERIOR WALLS TO BE 4" w/ OSB OR 3 1/2" w/ LAMINATED FIBROUS STRUCTURAL SHEATHING, ALL INTERIOR WALLS TO BE 3 1/2", UNLESS OTHERWISE NOTED.
 - HATCHED AREAS INDICATE DROPPED CEILINGS. ALL DROPPED CEILINGS ARE 12" UNLESS OTHERWISE NOTED.
 - SEE "BRACED WALL PANEL DETAIL SHEET" FOR SPECIAL WALL FRAMING LOCATIONS AND HEADER SIZES, IF APPLICABLE.
 - SEE STANDARD DETAIL CATEGORY "11" SHEET(S) FOR INTERIOR TRIM DETAILS.
 - SEE ARCHITECTURAL DETAIL SHEET "AD" FOR HOUSE SPECIFIC INTERIOR TRIM OPTION TABLE.
 - ALL WINDOWS HAVE 7'-0 1/2" HEADER HEIGHT UNLESS OTHERWISE NOTED.
 - ALL HEADERS IN NON-BEARING WALLS SHALL BE A SINGLE FLAT 2x4 OR 2x6 ATTACHED TO CRIPPLES ABOVE, UNLESS OTHERWISE NOTED.
 - TANKED WATER HEATER SHOWN AS BASE CONDITION, OPTIONAL TANKLESS WATER HEATER IS AVAILABLE IN LIEU OF TANKED WATER HEATER.

- GYPSUM NOTES**
- AT GARAGE:
GYPSUM BOARD AT COMMON WALLS, CEILINGS, BEAM WRAPS AND SUPPORTS PER STANDARD DETAIL FA-1(b) FIRE ASSEMBLIES OR AS REQUIRED BY LOCAL CODE.
- AT STAIRS:
1/2" GYPSUM BOARD AT UNDERSIDE OF STAIRS AND WALLS IN CLOSET

BASEMENT JACK SCHEDULE

IDENTIFIER	DESCRIPTION	OPTIONS	ENG. NUM.	REMARKS
J001	BSMT - SOLIDWOOD JACK - (2) 2x4 SPT STUD GRADE		BOO01, BOO15	



BASEMENT FLOOR PLAN
SCALE: 1/4" = 1'-0"

© NVR, Inc. expressly reserves the right to modify these plans without notice. These plans are not to be reproduced, changed or altered in any way without the written consent of NVR, Inc.

NVR
NVR, Inc. Suite 100
Frederick, MD 21703

5285 Walkers Lane, Suite 100
Frederick, MD 21703

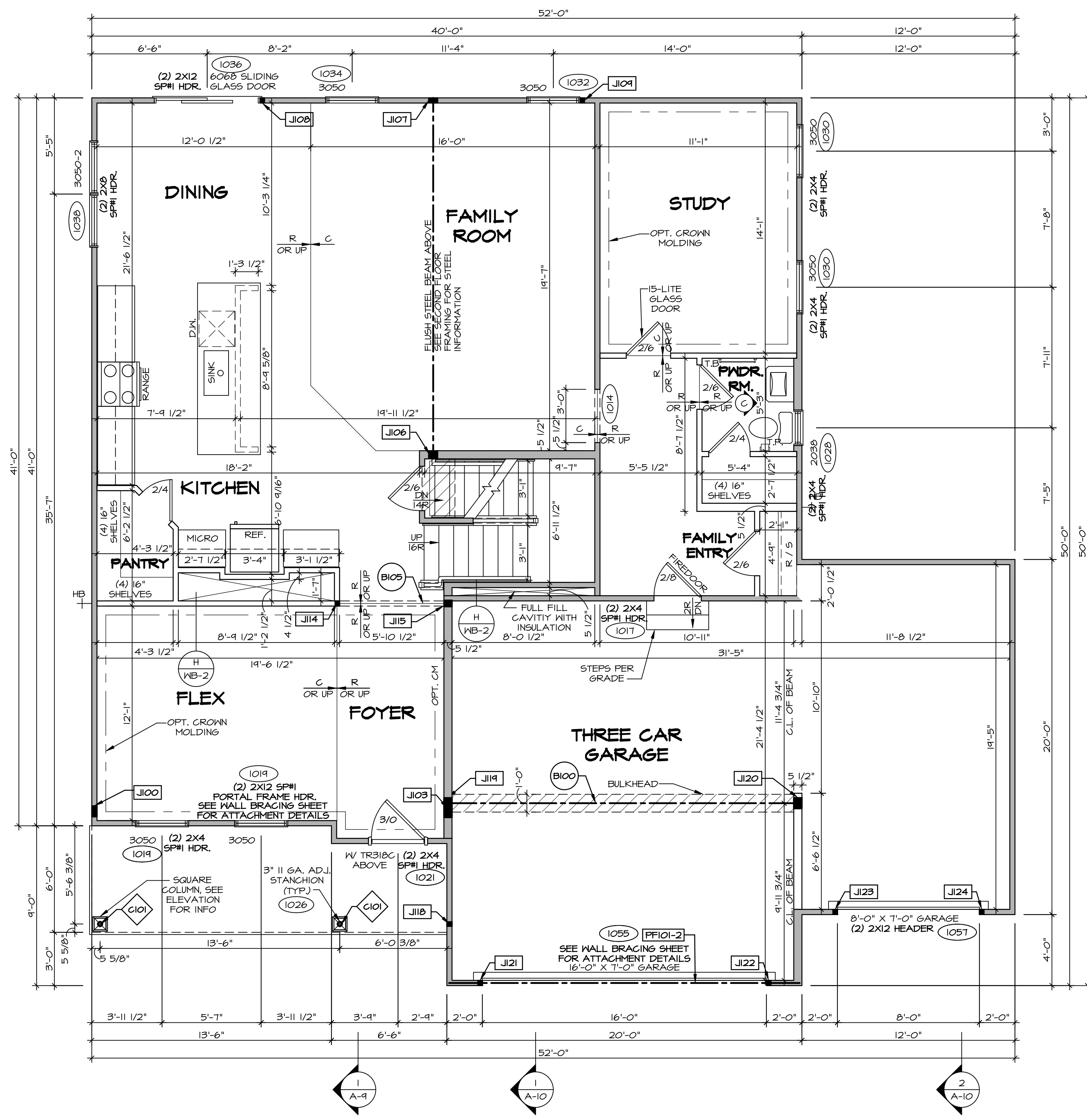
SET NO. LGH00
VERSION 01
DRAWN BY
DATE:
OPTION

MODEL
LEHIGH
DRAWING TITLE
BASEMENT FLOOR PLAN
OPTION DESCRIPTION

SHEET NO.
A-6
28

DIV-COMM-LOT-UNIT
DCY-YR-5096
COMM-LOT
VILGE OF WINDING CREEK MONT CO - 5096
STREET ADDRESS
476 FAIRMATER SPRINGS DRIVE
CITY STATE OH ZIP
CENTERVILLE OH 45459

C:\NVR\Solves\LEHIGH_LGH00_01\DCY-YR-5096\2134890\Sheets\Lot_Specific\28_A-6_BSMT_LS.dwg 10/18/20 - 2:45 pm



FIRST FLOOR PLAN
SCALE: 1/4" = 1'-0"

LEGEND

	BEARING WALL
	NON BEARING WALL
	JACKS
	BEAM/HEADER
	PAD FOOTING
	STEEL COLUMN
	PORTAL FRAME
	JOIST/TRUSS
	LVL
	ENGINEERING PAGE NUMBER

SEE FC DETAILS FOR FRAMING CONNECTORS

- FLOOR PLAN NOTES**
- ALL HEADERS ARE (2) 2x6 W/ 2x4 WALLS OR (3) 2x6 W/ 2x6 WALLS, UNLESS OTHERWISE NOTED.
 - ALL HEADERS TO HAVE (1) 2x4 OR 2x6 JACK AND KING STUD EACH END, UNLESS OTHERWISE NOTED.
 - ALL EXTERIOR WALLS TO BE 4" W/ OSB OR 3 1/2" W/ LAMINATED FIBROUS STRUCTURAL SHEATHING, ALL INTERIOR WALLS TO BE 3 1/2", UNLESS OTHERWISE NOTED.
 - HATCHED AREAS INDICATE DROPPED CEILINGS. ALL DROPPED CEILINGS ARE 12" UNLESS OTHERWISE NOTED.
 - SEE "BRACED WALL PANEL DETAIL SHEET" FOR SPECIAL WALL FRAMING LOCATIONS AND HEADER SIZES, IF APPLICABLE.
 - SEE STANDARD DETAIL CATEGORY "11" SHEET(S) FOR INTERIOR TRIM DETAILS.
 - SEE ARCHITECTURAL DETAIL SHEET "AD" FOR HOUSE SPECIFIC INTERIOR TRIM OPTION TABLE.
 - ALL WINDOWS HAVE 7'-0 1/2" HEADER HEIGHT UNLESS OTHERWISE NOTED.
 - ALL HEADERS IN NON-BEARING WALLS SHALL BE A SINGLE FLAT 2x4 OR 2x6 ATTACHED TO GRIPPLIES ABOVE, UNLESS OTHERWISE NOTED.
 - TANKED WATER HEATER SHOWN AS BASE CONDITION, OPTIONAL TANKLESS WATER HEATER IS AVAILABLE IN LIEU OF TANKED WATER HEATER.

- GYPSON NOTES**
- AT GARAGE:
GYPSUM BOARD AT COMMON WALLS, CEILING, BEAM WRAPS AND SUPPORTS PER STANDARD DETAIL FA-1(b) FIRE ASSEMBLIES OR AS REQUIRED BY LOCAL CODE.
- AT STAIRS:
1/2" GYPSUM BOARD AT UNDERSIDE OF STAIRS AND WALLS IN CLOSET

FIRST FLOOR JACK SCHEDULE

IDENTIFIER	DESCRIPTION	OPTIONS	ENG. NUM.
J100	JACK - (5) 2X4 SFF#		2000
J103	JACK - (4) 2X6 SFF STUD GRADE	ELC	2000
J106	JACK - (4) 2X6 SFF STUD GRADE		1016
J107	JACK - (4) 2X4 SFF STUD GRADE		1016
J108	JACK - (2) 2X4 SFF STUD GRADE		1036
J104	JACK - (2) 2X4 SFF STUD GRADE		1032
J114	JACK - (2) 2X4 SFF STUD GRADE		1013
J115	JACK - (3) 2X6 SFF STUD GRADE		1013
J118	JACK - (2) 2X4 SFF STUD GRADE		1026
J119	JACK - (5) 2X6 SFF#	5XC	1044, 1044
J120	JACK - (5) 2X6 SFF STUD GRADE	GCB, GCF	1044, 1044
J121	JACK - (2) 2X4 SFF STUD GRADE	GCB, GCF	1055
J122	JACK - (2) 2X4 SFF STUD GRADE	GCB, GCF	1055
J123	JACK - (2) 2X4 SFF STUD GRADE	GCF	1051
J124	JACK - (2) 2X4 SFF STUD GRADE	GCF	1051

- LVL PLY TO PLY FASTENING SCHEDULE:** (WHERE APPLICABLE BASED ON LVL USAGE)
- 1A - (2) PLY UP TO AND INCLUDING 11 7/8" TALL; FASTEN PLYS W/ (2) ROWS 16D NAILS AT 12" O.C. OR ALT 1 1/2" WIDE LVL FASTEN PLYS W/ (3) ROWS 12D NAILS AT 12" O.C.
 - 2A - (2) PLY 14" TO AND 18" TALL (INCLUSIVE); FASTEN PLYS W/ (3) ROWS 16D NAILS AT 12" O.C. OR ALT 1 1/2" WIDE LVL FASTEN PLYS W/ (4) ROWS 12D NAILS AT 12" O.C.
 - 3A - (2) PLY 20" TALL AND OVER; FASTEN PLYS W/ (4) ROWS 16D NAILS AT 12" O.C. OR ALT 1 1/2" WIDE LVL FASTEN PLYS W/ (5) ROWS 12D NAILS AT 12" O.C.
 - 4A - (3) PLY UP TO AND INCLUDING 11 7/8" TALL; FASTEN PLYS W/ (2) ROWS 16D NAILS AT 12" O.C. FROM EACH SIDE OR ALT 1 1/2" WIDE LVL FASTEN PLYS W/ (3) ROWS 12D NAILS AT 12" O.C. FROM EACH SIDE.
 - 5A - (3) PLY 14" TO AND 18" TALL (INCLUSIVE); FASTEN PLYS W/ (3) ROWS 16D NAILS AT 12" O.C. FROM EACH SIDE OR ALT 1 1/2" WIDE LVL FASTEN PLYS W/ (4) ROWS 12D NAILS AT 12" O.C. FROM EACH SIDE.
 - 6A - (3) PLY 20" TALL AND OVER; FASTEN PLYS W/ (4) ROWS 16D NAILS AT 12" O.C. FROM EACH SIDE OR ALT 1 1/2" WIDE LVL FASTEN PLYS W/ (5) ROWS 12D NAILS AT 12" O.C. FROM EACH SIDE.
 - 7A - (4) PLY (ALL SIZES); FASTEN PLYS W/ (2) ROWS 1/2" DIAMETER A307 BOLTS AT 24" O.C. SEE SHOP DRAWING FOR ADDITIONAL INFORMATION.

FIELD INSTALLED FIRST FLOOR BEAM/HEADER SCHEDULE

IDENTIFIER	DESCRIPTION	LENGTH	OPTIONS	ENG. NUM.	REMARKS
B100	BEAM STEEL - W12X35	20'-1 1/2"	5XC	1044, 1044	
B105	INT HEADER - 2X8 - 2 PLY	6'-7"		1013	
PF101-2	LVL 1.75 - 11-04	19'-4"	GCB, GCF	1055	2-PLY, 1A, PORTAL FRAME

STEEL COLUMN SCHEDULE

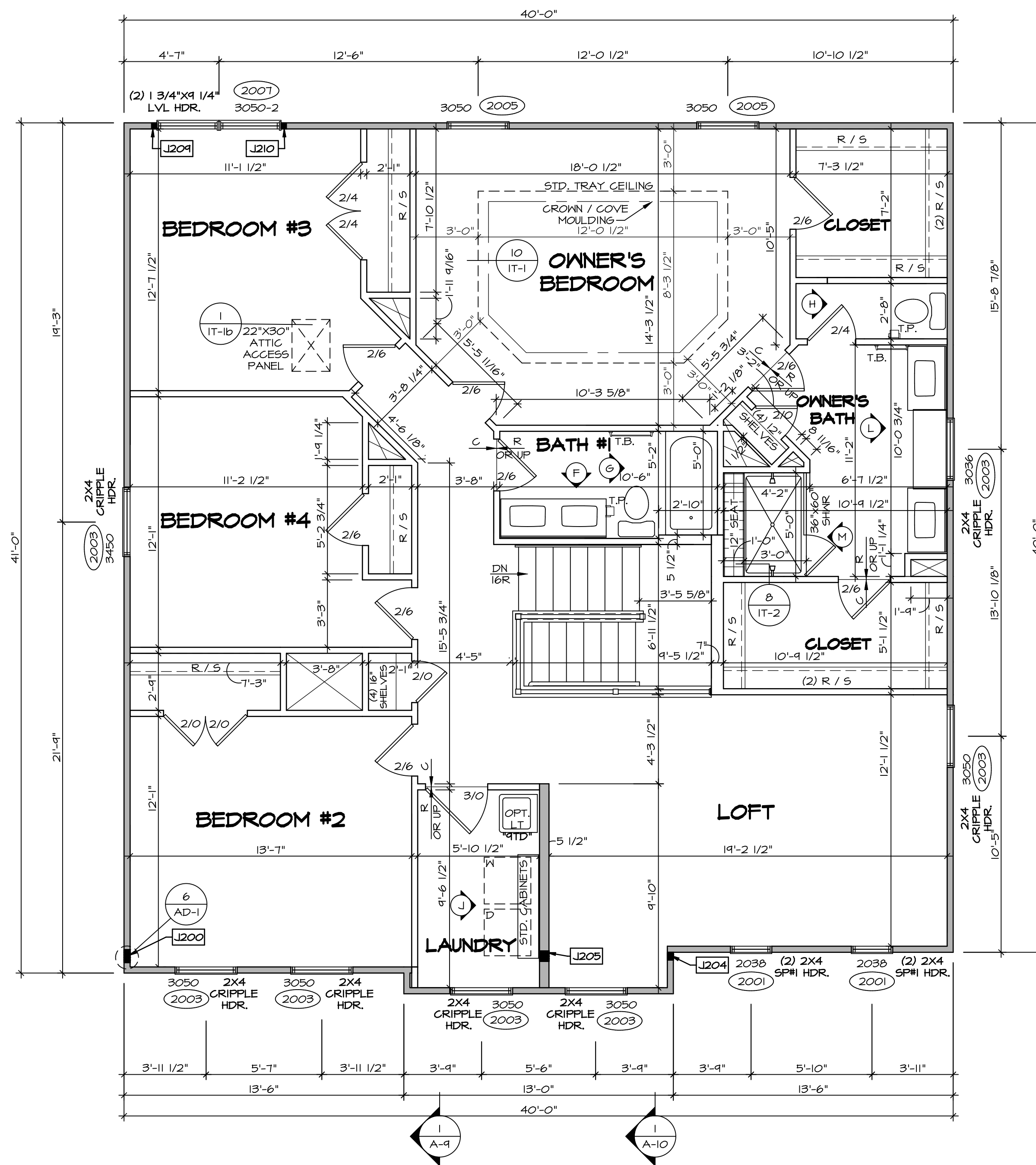
IDENTIFIER	STYLE	HEIGHT	OPTIONS	ENG. NUM.	REMARKS
C101	STANCHION PORCH - 3 IN DIA 116A ADJ	8'-8 5/8"		1026	

DCY-YR-5096
VILGE OF WINDING CREEK MONT CO - 5096
476 FAIRMATER SPRINGS DRIVE
CENTERVILLE OH 45459

NVR, Inc.
5285 Washington Blvd
Frederick, MD 21703

NVR
NVR, Inc. Suite 100
5285 Washington Blvd
Frederick, MD 21703

MODEL: LEHIGH
DRAWING TITLE: FIRST FLOOR PLAN
SHEET NO.: A-7
OPTION DESCRIPTION: 30



SECOND FLOOR PLAN
SCALE: 1/4" = 1'-0"

LEGEND

- BEARING WALL
- NON BEARING WALL
- INDICATES BEARING FROM POINT-LOAD ABOVE
- JACKS
- BEAM/HEADER
- PAD FOOTING
- STEEL COLUMN
- PORTAL FRAME
- JOIST/TRUSS
- LVL
- ENGINEERING PAGE NUMBER

SEE FC DETAILS FOR FRAMING CONNECTORS

- FLOOR PLAN NOTES**
- ALL HEADERS ARE (2) 2x6 w/ 2x4 WALLS OR (3) 2x6 w/ 2x6 WALLS, UNLESS OTHERWISE NOTED.
 - ALL HEADERS TO HAVE (1) 2x4 OR 2x6 JACK AND KING STUD EACH END, UNLESS OTHERWISE NOTED.
 - ALL EXTERIOR WALLS TO BE 4" w/ OSB OR 3 1/2" w/ LAMINATED FIBROUS STRUCTURAL SHEATHING, ALL INTERIOR WALLS TO BE 3 1/2", UNLESS OTHERWISE NOTED.
 - HATCHED AREAS INDICATE DROPPED CEILINGS. ALL DROPPED CEILINGS ARE 12" UNLESS OTHERWISE NOTED.
 - SEE "BRACED WALL PANEL DETAIL SHEET" FOR SPECIAL WALL FRAMING LOCATIONS AND HEADER SIZES, IF APPLICABLE.
 - SEE STANDARD DETAIL CATEGORY "IT" SHEET(S) FOR INTERIOR TRIM DETAILS.
 - SEE ARCHITECTURAL DETAIL SHEET "AD" FOR HOUSE SPECIFIC INTERIOR TRIM OPTION TABLE.
 - ALL WINDOWS HAVE "T-O 1/2" HEADER HEIGHT UNLESS OTHERWISE NOTED.
 - ALL HEADERS IN NON-BEARING WALLS SHALL BE A SINGLE FLAT 2x4 OR 2x6 ATTACHED TO CRIPPLES ABOVE, UNLESS OTHERWISE NOTED.
 - TANKED WATER HEATER SHOWN AS BASE CONDITION, OPTIONAL TANKLESS WATER HEATER IS AVAILABLE IN LIEU OF TANKED WATER HEATER.

- GYPSUM NOTES**
- AT GARAGE:**
GYPSUM BOARD AT COMMON WALLS, CEILINGS, BEAM WRAPS AND SUPPORTS PER STANDARD DETAIL FA-1(b) FIRE ASSEMBLIES OR AS REQUIRED BY LOCAL CODE.
- AT STAIRS:**
1/2" GYPSUM BOARD AT UNDERSIDE OF STAIRS AND WALLS IN CLOSET

SECOND FLOOR JACK SCHEDULE

IDENTIFIER	DESCRIPTION	OPTIONS	ENG. NUM.	REMARKS
J200	JACK - (5) 2X4 SPM		2000	1/8"X3 1/2"X1 1/2" STEEL BEARING PLATE, EXTEND THRU TOP PLATES
J204	JACK - (3) 2X4 SFF STUD GRADE	ELC	2000	EXTEND THRU TOP PLATE
J205	JACK - (4) 2X6 SFF STUD GRADE	ELC	2000	EXTEND THRU TOP PLATE
J209	JACK - (2) 2X4 SFF STUD GRADE		2001	
J210	JACK - (2) 2X4 SFF STUD GRADE		2001	

DIV-COMM-LOT-UNIT
DCY-YR-S096
COMM-LOT
VILGE OF WINDING CREEK MONT CO - S096
STREET ADDRESS
476 FAIRMATER SPRINGS DRIVE
CITY STATE OH ZIP
CENTERVILLE OH 45459

© NVR, Inc. All rights reserved. The user expressly reserves the right to modify or change the information contained in these plans. These plans are not to be reproduced, changed or altered in any way without the written consent of NVR, Inc.

NVR
NVR, Inc. Suite 100
5285 Washburne Rd
Frederick, MD 21703

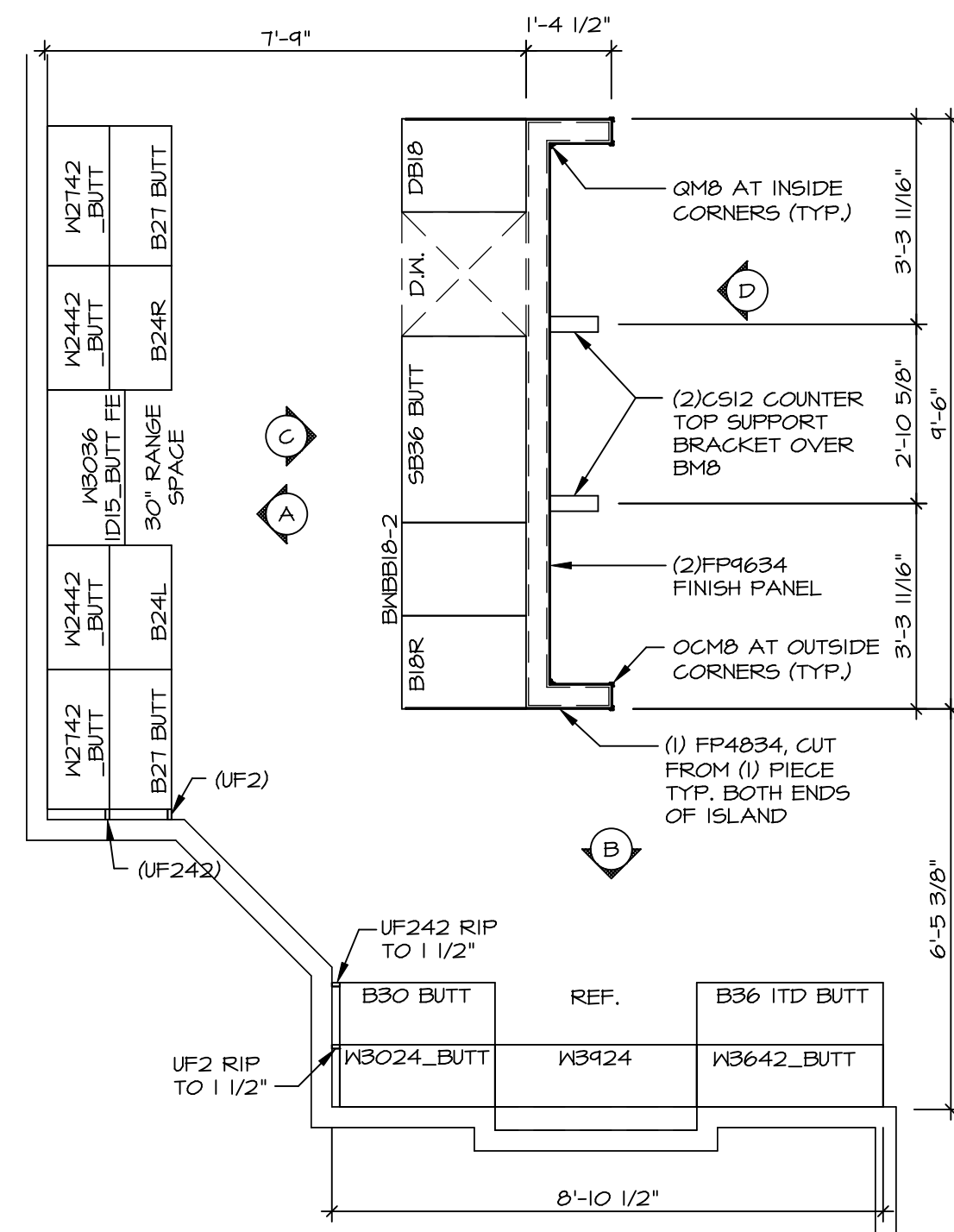
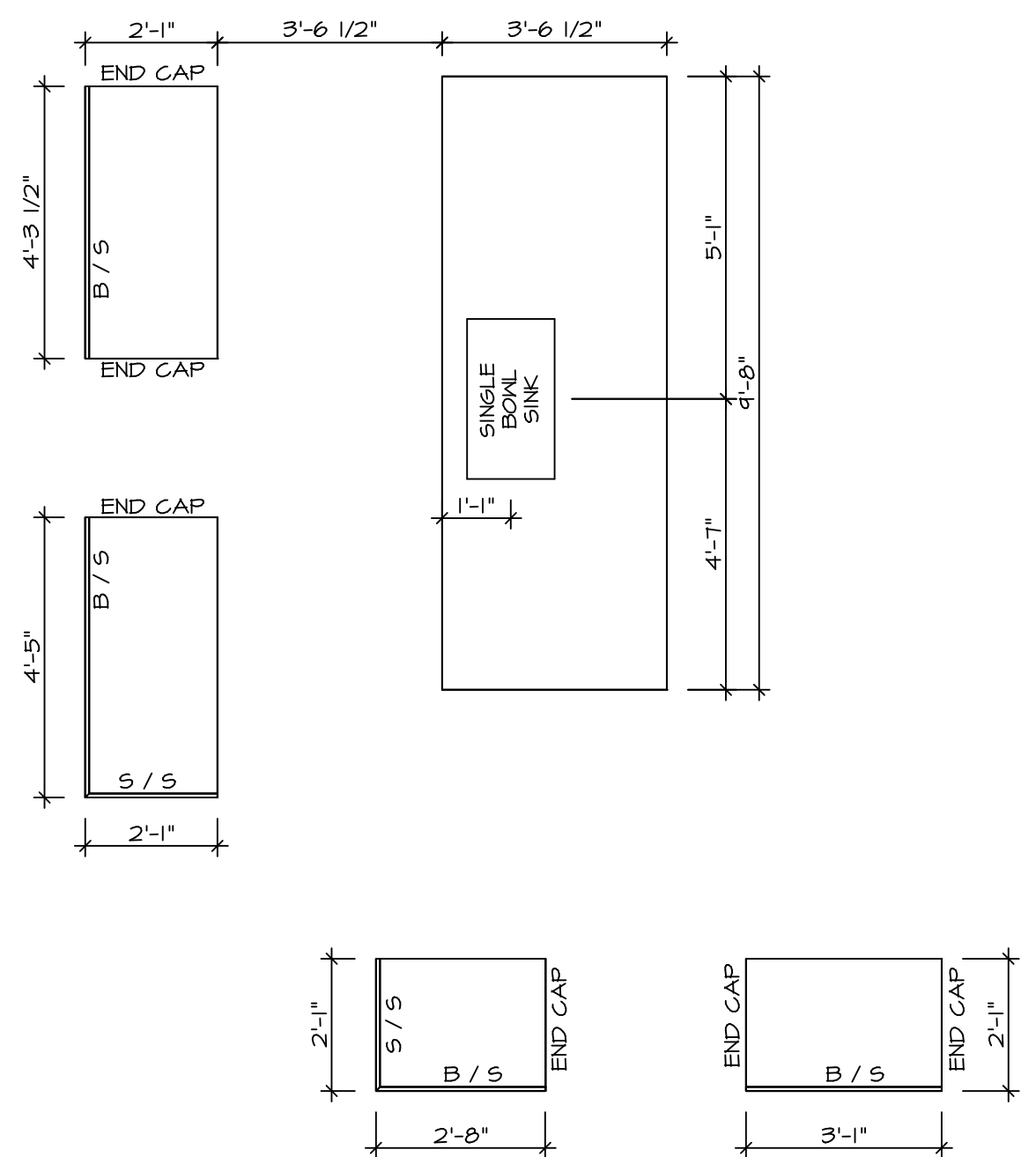
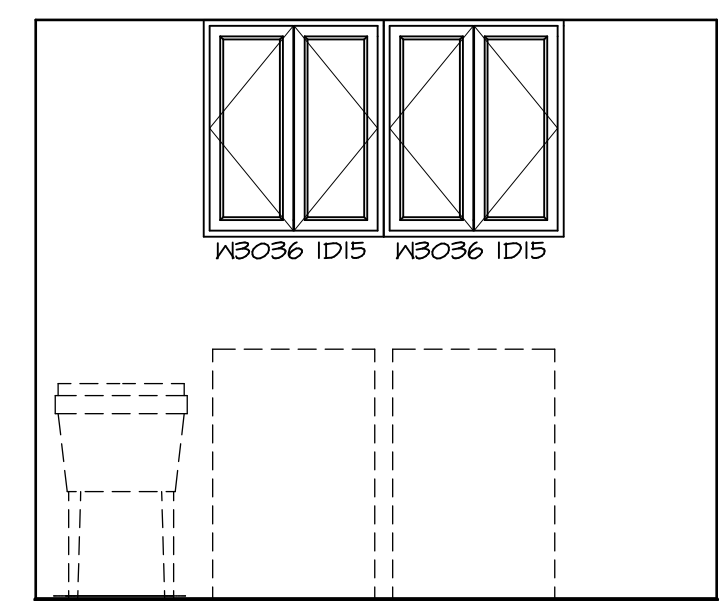
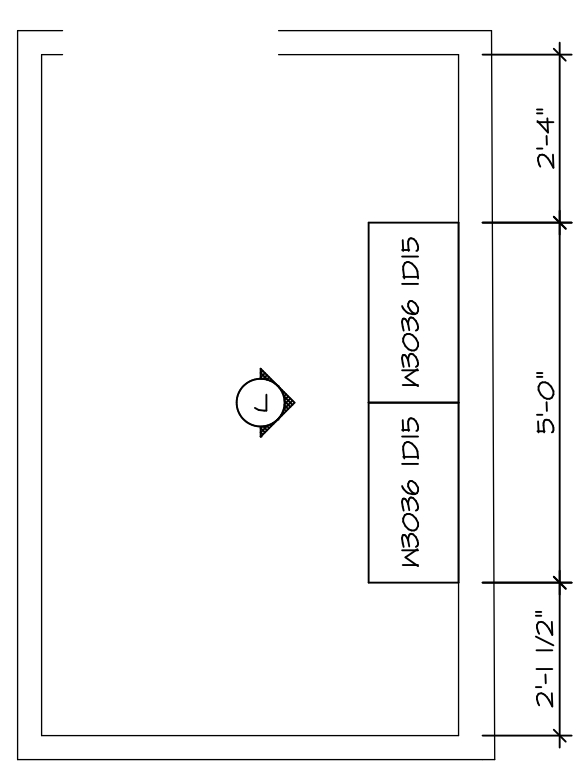
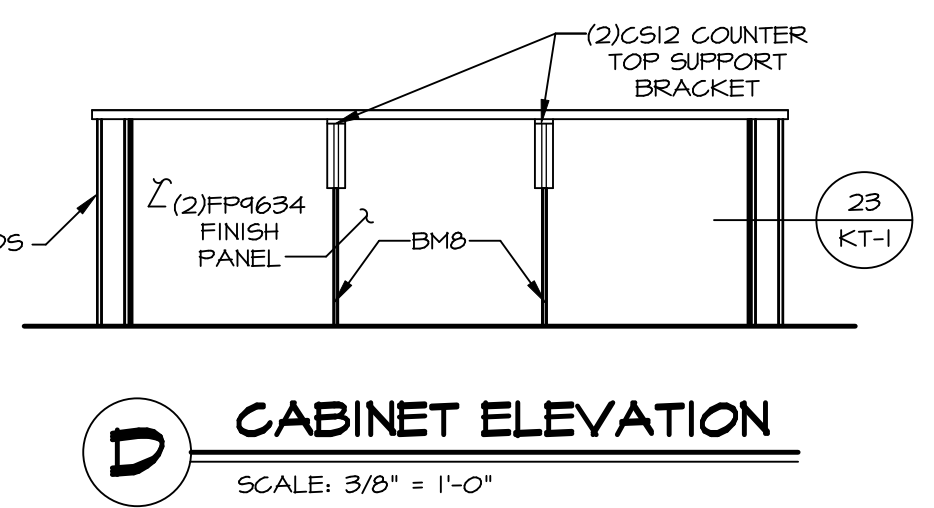
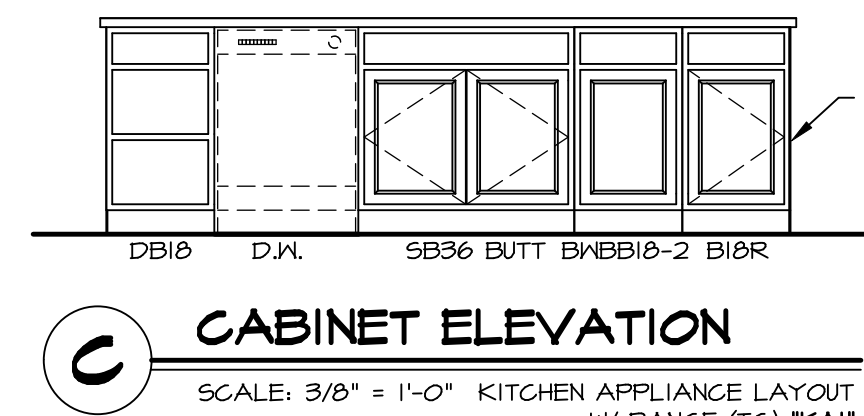
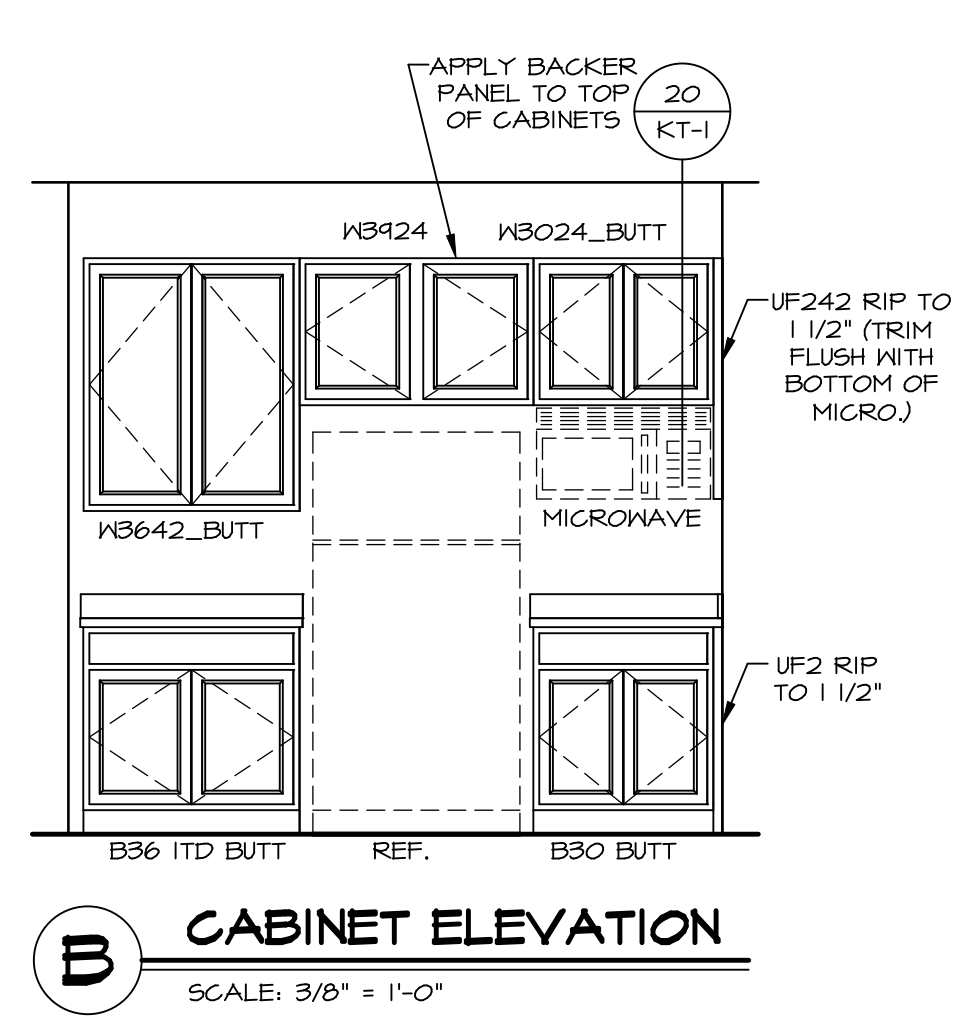
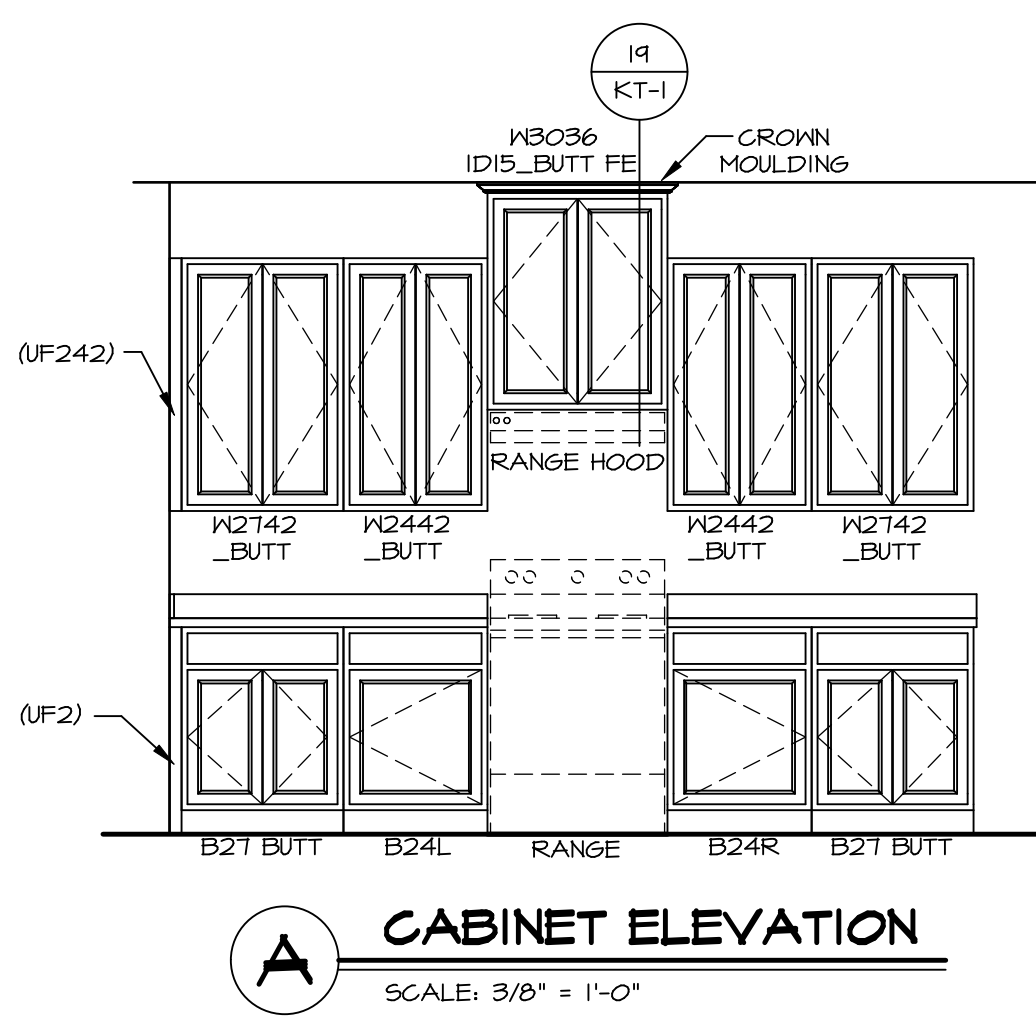
MODEL
LEHIGH
DRAWING TITLE
SECOND FLOOR PLAN
OPTION DESCRIPTION

SET NO. LGH00
VERSION 01
DRAWN BY
DATE:
OPTION

SHEET NO.
A-8
33

C:\NVR\Solves\LEHIGH_LGH00_01\DCY-YR-S096\2134890\Sheets\Lot_Specs\33_A-B_FLN2_LS.dwg 10/18/20 - 2:45 pm

- NOTES:**
- CABINET LAYOUT(S) ARE BASED ON FINISHED DIMENSIONS TO DRYWALL.
 - IF KITCHEN PLANS/ELEVATIONS CALL-OUT STANDARD MOLDING, REFER TO STANDARD DETAIL (1/KT-1) FOR REPLACEMENT BASED ON CABINET STYLE.
 - ALL (UF#) FILLERS ARE TO BE "TRIM TO FIT" UNLESS OTHERWISE NOTED.
 - CABINET MUST BE SET, SHIMMED, LEVELED AND PLUMB W/ ADJOINING BASE CABINETS.
 - SET PRE-FINISHED SCRIBE MOLDING AT CABINET BULKHEADS AND AT ENDS (WHERE CABINETS MEET DRYWALL.) PRE-FINISHED SCRIBE MOLDING SHALL BE USED TO PAD OUT CABINET SIDES AT STILE FOR RETURN PIECES OF THE FACE-MOUNTED CABINET CROWN MOLDING.
 - HARDWARE INSTALL NOTE: KNOBS GO ON DOORS AND DRAWERS FOR ALL AREAS. ALL DRAWER FRONTS AND DOORS GET (1) KNOB/PULL. NO HARDWARE ON FALSE DRAWER FRONTS.

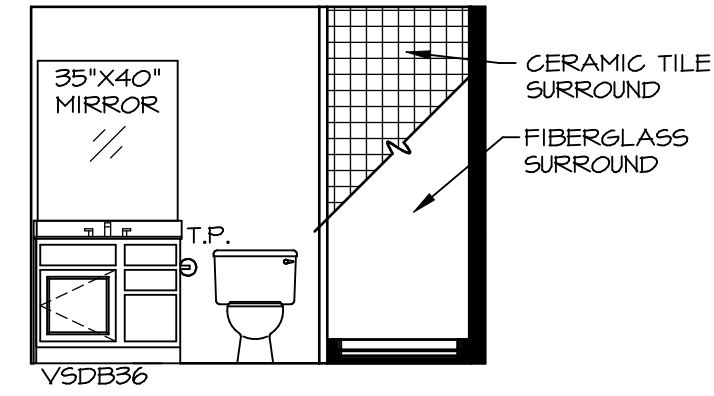


SHEET NO. A-12	MODEL LEHIGH	SET NO. LG-HOO	VERSION O1
		DRAWN BY	DATE:
OPTION DESCRIPTION	DRAWING TITLE KITCHEN CABINET PLANS AND ELEVATIONS	DIV-COMM-LOT-UNIT DCY-YR-5096	
		COMM-LOT VLGS OF WINDING CREEK MONT CO - 5096	
54	OPTION	STREET ADDRESS 476 FAIRMATER SPRINGS DRIVE	
		CITY CENTERVILLE	STATE OH
ZIP 45459		APT. NO. ----	

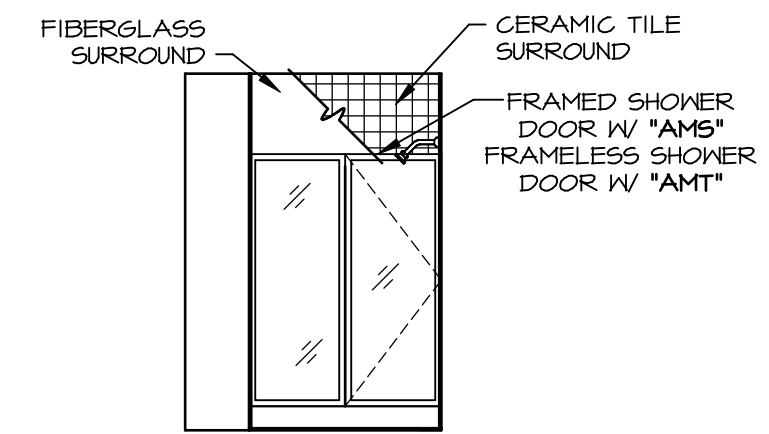
© NVR, Inc. expressly reserves the right to modify these plans without notice. These plans are not to be reproduced, changed or altered in any way without the written consent of NVR, Inc.

NVR
NVR, Inc. Suite 100
Frederick, MD 21703
5285 Washburn Drive

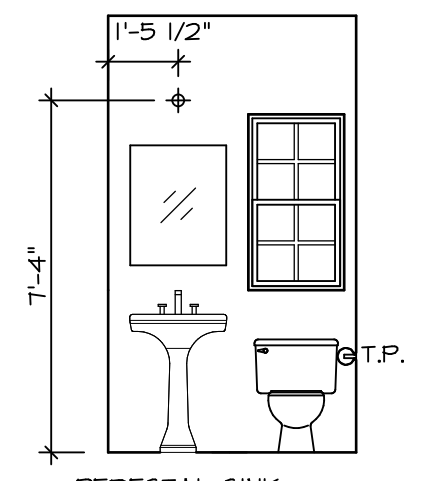
C:\NVR\Solves\LEHIGH\LG-HOO_01\DCY-YR-5096\2134890\Sheets\Lot_Specific\54_A-12_KIT_LS.dwg 10/18/20 - 2:46 pm



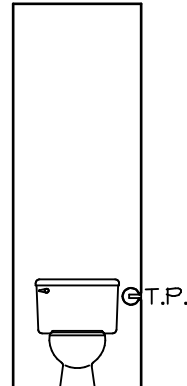
A BSMT BATH "AEB"
SCALE: 1/4" = 1'-0"



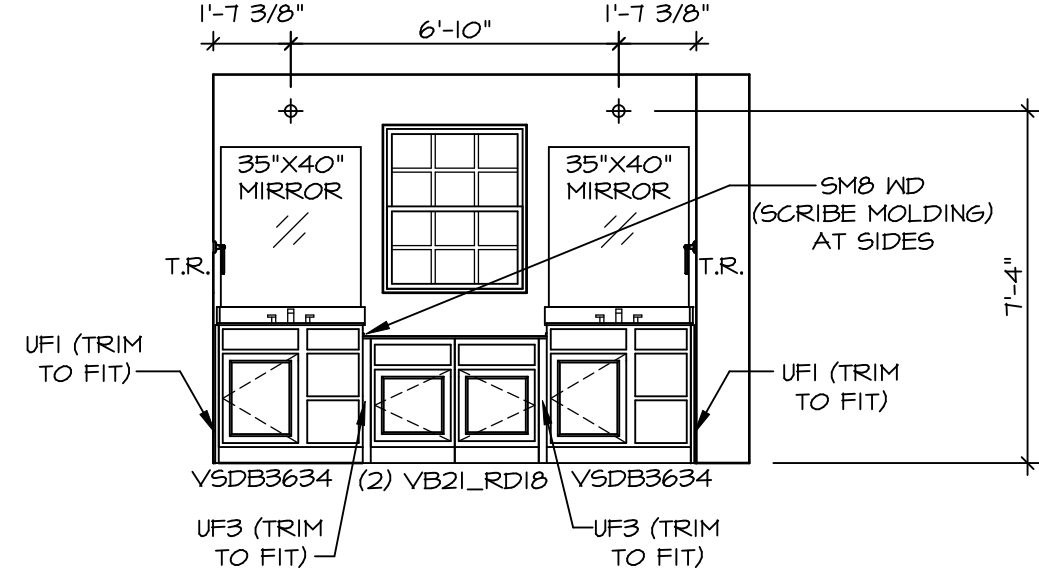
B BSMT BATH "AEB"
SCALE: 1/4" = 1'-0"



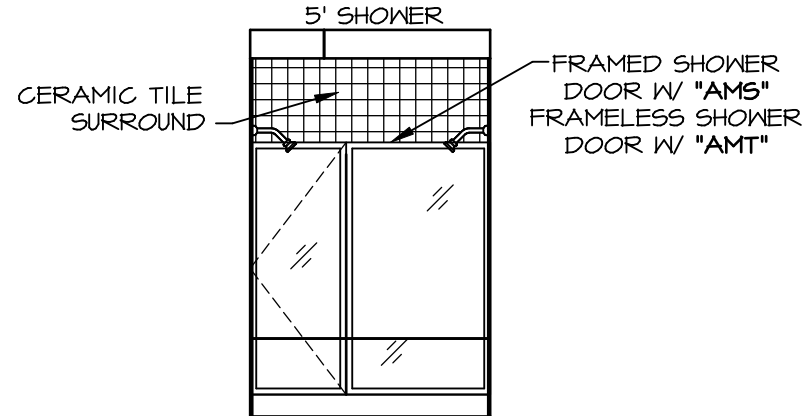
C POWDER ROOM
SCALE: 1/4" = 1'-0" RECT. BOXL "SZC"



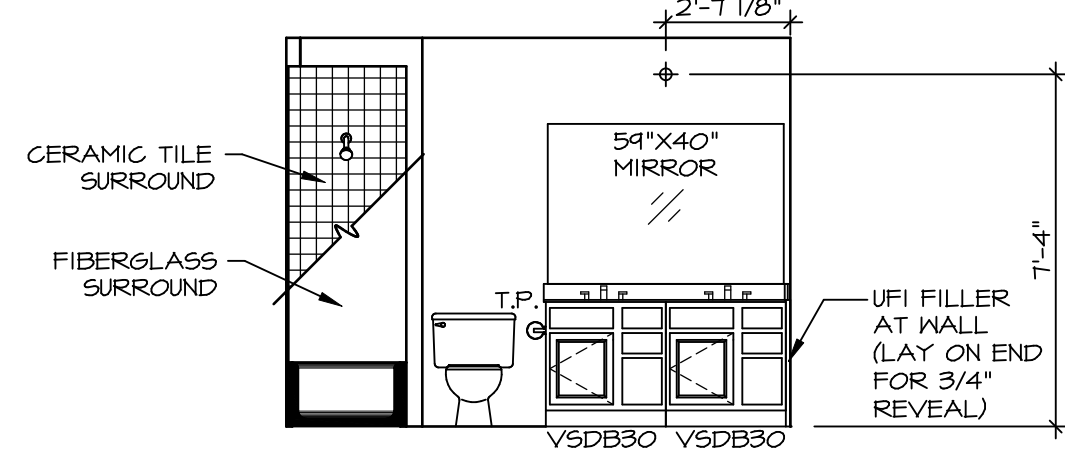
H OWNERS BATH
SCALE: 1/4" = 1'-0"



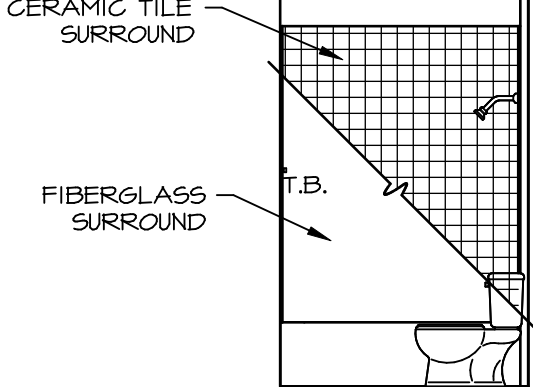
L OWNERS BATH
SCALE: 1/4" = 1'-0" OWNER'S BATHROOM ROMAN SHOWER "AM6"



M OWNERS BATH
SCALE: 1/4" = 1'-0" OWNER'S BATHROOM ROMAN SHOWER "AM6"



F BATH #1
SCALE: 1/4" = 1'-0"



G BATH #1
SCALE: 1/4" = 1'-0"

- NOTES:**
- TEMPERED GLASS SHOWER ENCLOSURE WITH SWING DOOR OR OPTIONAL SLIDING DOOR BY DIVISION
 - TUB ACCESS PANELS PROVIDED AS NEEDED, ALL MATERIALS BY DIVISION
 - REFER TO SHEET IT-2 FOR TUB AND SHOWER DETAILS.
 - ALL V5DB24-42 DRAWERS TO BE SET ON RIGHT HAND.
 - ALL BATH ELEVATIONS ARE SHOWN PER PLAN.

DIV-COMM-LOT-UNIT DCY-YR-S096	
COMM-LOT VILGE OF WINDING CREEK MONT CO - S096	APT. NO. -----
STREET ADDRESS 476 FAIRMATER SPRINGS DRIVE	
CITY CENTERVILLE	STATE OH
ZIP 45459	
<small>© NVR, Inc. expressly reserves the right to modify or change the information contained in these plans without notice. These plans are not to be reproduced, changed or altered in any way without the written consent of NVR, Inc.</small>	
<small>NVR, Inc. Suite 100 5285 Walkersville Rd. Frederick, MD 21703</small>	
SET NO. L6H00	VERSION 01
MODEL A-13	DRAWN BY LEHIGH
	DATE:
	OPTION
SHEET NO. A-13 MODEL LEHIGH DRAWING TITLE BATH ELEVATIONS OPTION DESCRIPTION	
57	