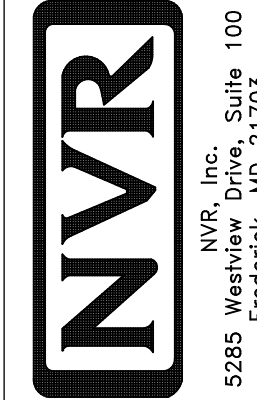


**PLUMBING PLAN**

SCALE: 1/4" = 1'-0"

SHEET NO. <b>A-5</b>	MODEL <b>SIENNA</b>	SET NO. SIECO VERSION <b>05</b>
	DRAWING TITLE <b>PLUMBING PLAN</b>	DRAWN BY
	OPTION DESCRIPTION	DATE: <b>2/2/2015</b>
		OPTION

**20**



© NVR, Inc. expressly reserves the right to modify or amend these plans at any time without notice. These plans are not to be reproduced, changed or copied in any way without the written consent of NVR, Inc.

REV. NO. | DATE

REMARKS

**LEGEND**

	BEARING WALL
	NON BEARING WALL
	INDICATES BEARING FROM POINT-LOAD ABOVE
	JACKS
	BEAM/HEADER
	PAD FOOTING
	STEEL COLUMN
	PORTAL FRAME
	JOIST/TRUSS
	LVL
	ENGINEERING PAGE NUMBER

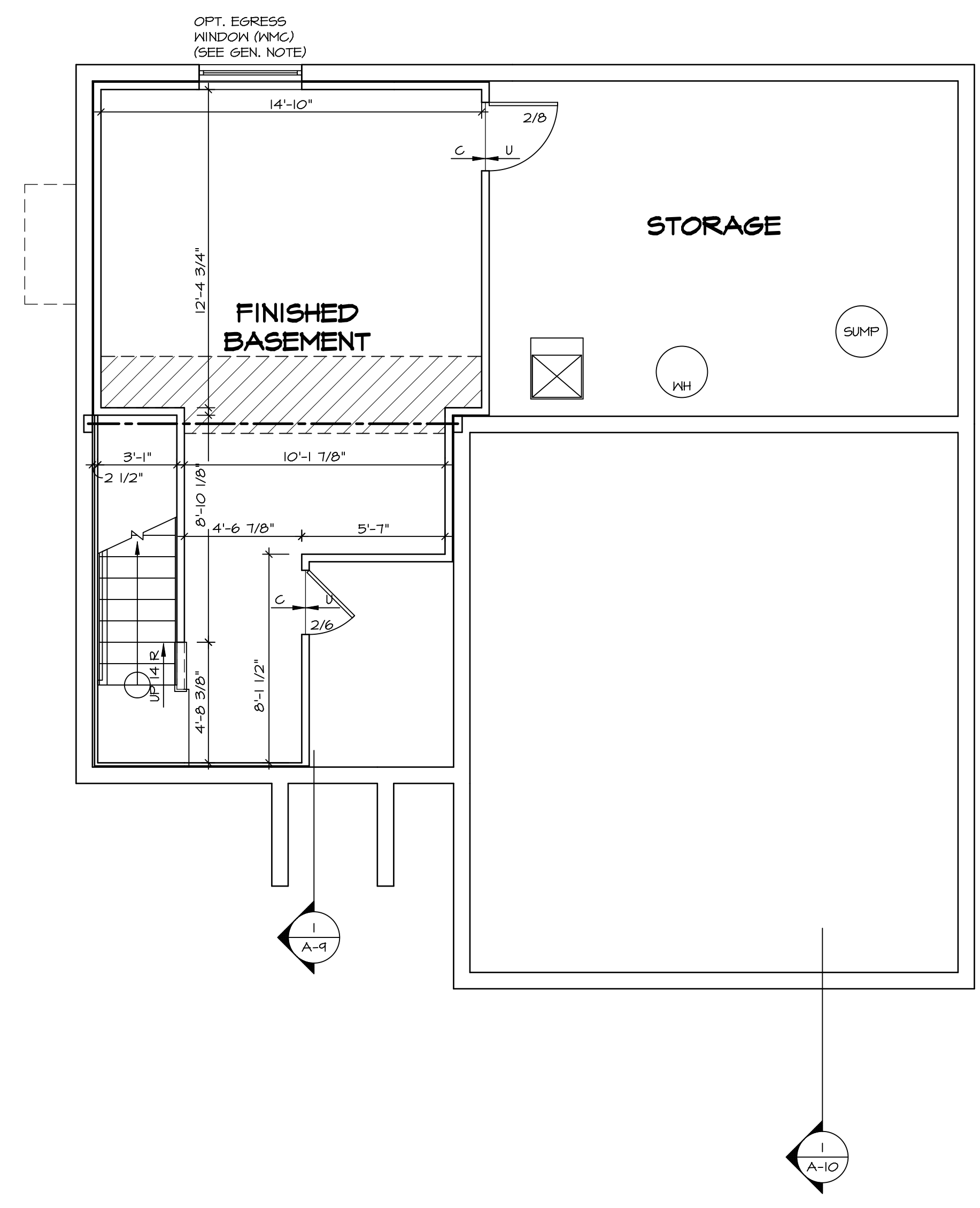
SEE FC DETAILS FOR FRAMING CONNECTORS

- FLOOR PLAN NOTES**
- ALL HEADERS ARE (2) 2x6 w/ 2x4 WALLS OR (3) 2x6 w/ 2x6 WALLS, UNLESS OTHERWISE NOTED.
  - ALL HEADERS TO HAVE (1) 2x4 OR 2x6 JACK EACH END, UNLESS OTHERWISE NOTED.
  - ALL EXTERIOR WALLS TO BE 4" AND ALL INTERIOR WALLS TO BE 3 1/2", UNLESS OTHERWISE NOTED.
  - HATCHED AREAS INDICATE DROPPED CEILING. ALL DROPPED CEILING ARE 12" UNLESS OTHERWISE NOTED.
  - SEE "BRACED WALL PANEL DETAIL SHEET" FOR SPECIAL WALL FRAMING LOCATIONS AND HEADER SIZES, IF APPLICABLE.
  - SEE STANDARD DETAIL CATEGORY "IT" SHEET(S) FOR INTERIOR TRIM DETAILS.
  - SEE ARCHITECTURAL DETAIL SHEET "AD" FOR HOUSE SPECIFIC INTERIOR TRIM OPTION TABLE.
  - ALL WINDOWS HAVE T-O 1/2" HEADER HEIGHT UNLESS OTHERWISE NOTED.

**GYPSUM NOTES**

AT GARAGE:  
GYPSUM BOARD AT COMMON WALLS, CEILING, BEAM WRAPS AND SUPPORTS PER STANDARD DETAIL FA-(b) FIRE ASSEMBLIES OR AS REQUIRED BY LOCAL CODE.

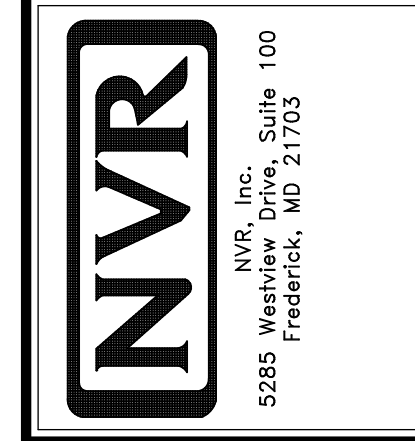
AT STAIRS:  
1/2" GYPSUM BOARD AT UNDERSIDE OF STAIRS AND WALLS IN CLOSET



**BASEMENT FLOOR PLAN**  
SCALE: 1/4" = 1'-0"

SHEET NO. <b>A-6</b>	MODEL <b>SIENNA</b>	SET NO. SIECO VERSION <b>05</b>	DATE: <b>2/2/2015</b>	REVISIONS	REMARKS
	DRAWING TITLE <b>BASEMENT FLOOR PLAN</b>	DRAWN BY	OPTION	1	08/05/16 N.L. - DRAWING ALIGNMENT
OPTION DESCRIPTION					
<b>23</b>					

© NVR, Inc. All rights reserved. No part of this drawing may be reproduced, stored in a retrieval system, or transmitted in any form or by any means, electronic, mechanical, photocopying, recording, or by any information storage and retrieval system, without the prior written permission of NVR, Inc.



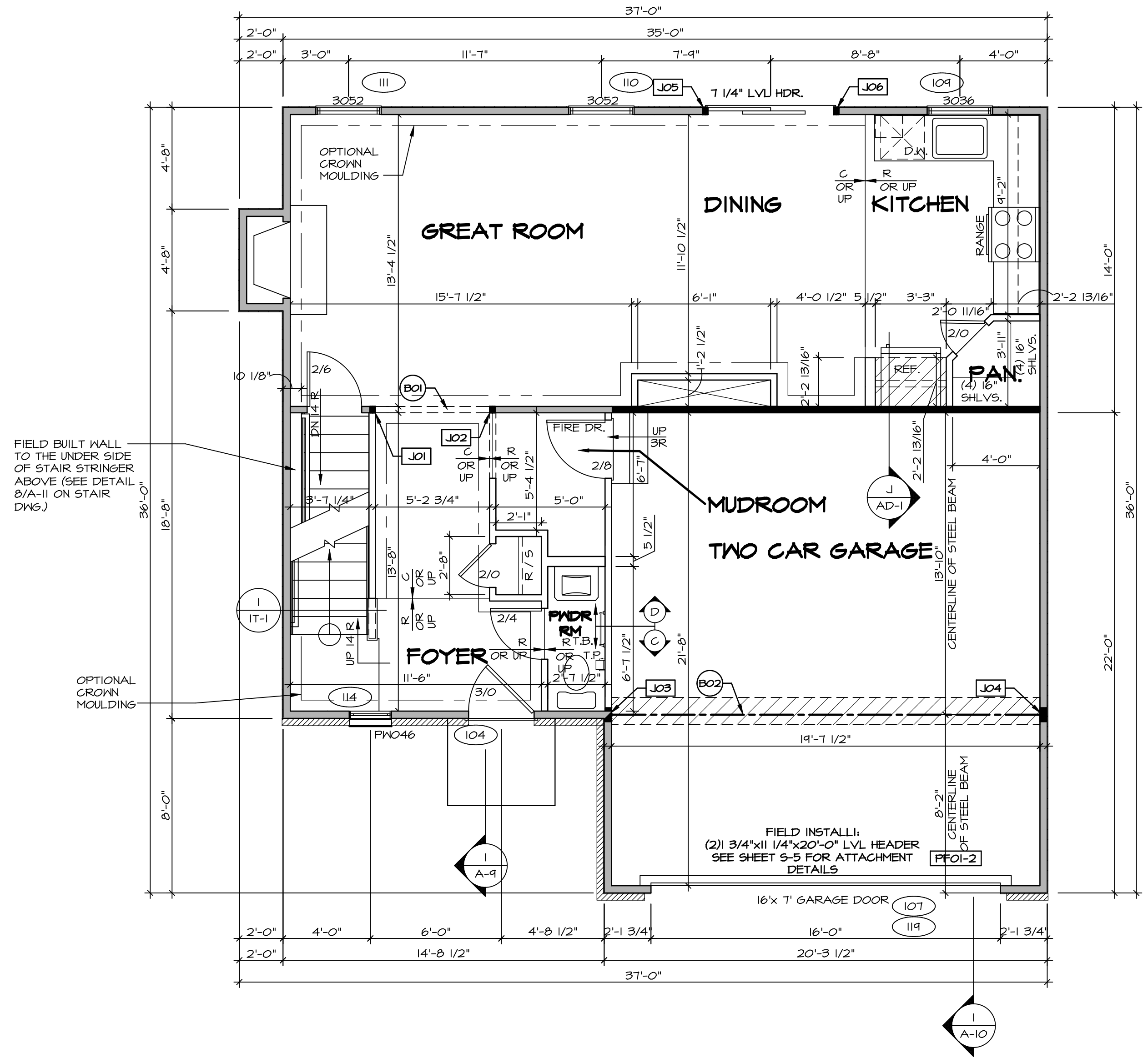
**LEGEND**

	BEARING WALL
	NON BEARING WALL
	INDICATES BEARING FROM POINT-LOAD ABOVE
	JACKS
	BEAM/HEADER
	PAD FOOTING
	STEEL COLUMN
	PORTAL FRAME
	JOIST/TRUSS
	LVL
	ENGINEERING PAGE NUMBER

SEE FC DETAILS FOR FRAMING CONNECTORS

- FLOOR PLAN NOTES**
- ALL HEADERS ARE (2) 2x6 w/ 2x4 WALLS OR (3) 2x6 w/ 2x6 WALLS, UNLESS OTHERWISE NOTED.
  - ALL HEADERS TO HAVE (1) 2x4 OR 2x6 JACK AND KING STUD EACH END, UNLESS OTHERWISE NOTED.
  - ALL EXTERIOR WALLS TO BE 4" w/ OSB OR 3 1/2" w/ T-PLY. ALL INTERIOR WALLS TO BE 3 1/2", UNLESS OTHERWISE NOTED.
  - HATCHED AREAS INDICATE DROPPED CEILINGS. ALL DROPPED CEILINGS ARE 12' UNLESS OTHERWISE NOTED.
  - SEE "BRACED WALL PANEL DETAIL SHEET" FOR SPECIAL WALL FRAMING LOCATIONS AND HEADER SIZES, IF APPLICABLE.
  - SEE STANDARD DETAIL CATEGORY "IT" SHEET(S) FOR INTERIOR TRIM DETAILS.
  - SEE ARCHITECTURAL DETAIL SHEET "AD" FOR HOUSE SPECIFIC INTERIOR TRIM OPTION TABLE.
  - ALL WINDOWS HAVE 1"-0 1/2" HEADER HEIGHT UNLESS OTHERWISE NOTED.
  - ALL HEADERS IN NON-BEARING WALLS SHALL BE A SINGLE FLAT 2x4 OR 2x6 ATTACHED TO CRIPPLES ABOVE, UNLESS OTHERWISE NOTED.

- GYPSUM NOTES**
- AT GARAGE:  
GYPSUM BOARD AT COMMON WALLS, CEILINGS, BEAM WRAPS AND SUPPORTS PER STANDARD DETAIL FA-1(b) FIRE ASSEMBLIES OR AS REQUIRED BY LOCAL CODE.
- AT STAIRS:  
1/2" GYPSUM BOARD AT UNDERSIDE OF STAIRS AND WALLS IN CLOSET



**FIRST FLOOR JACK SCHEDULE**

IDENTIFIER	DESCRIPTION	OPTIONS	ENS. NUM.	FIELD INSTALLED
J01	JACK - (2) 2X4 SFF STUD GRADE		103	
J02	JACK - (2) 2X4 SFF STUD GRADE		103	
J03	JACK - (5) 2X4 SFF#1	GCB / GCC	105	
J04	JACK - (5) 2X4 SFF#1	GCB / GCC	105	
J05	JACK - (2) 2X4 SFF STUD GRADE	DGT	104	
J06	JACK - (2) 2X4 SFF STUD GRADE	DGT	104	

- LVL PLY TO PLY FASTENING SCHEDULE:**
- 1.A - (2) PLY UP TO AND INCLUDING 11 7/8" TALL; FASTEN PLYS W/ (2) ROWS 16D NAILS AT 12" O.C.
  - 2.A - (2) PLY 14" TO AND 18" TALL (INCLUSIVE); FASTEN PLYS W/ (3) ROWS 16D NAILS AT 12" O.C.
  - 3.A - (2) PLY 20" TALL AND OVER; FASTEN PLYS W/ (4) ROWS 16D NAILS AT 12" O.C.
  - 4.A - (3) PLY UP TO AND INCLUDING 11 7/8" TALL; FASTEN PLYS W/ (2) ROWS 16D NAILS AT 12" O.C. FROM EACH SIDE
  - 5.A - (3) PLY 14" TO AND 18" TALL (INCLUSIVE); FASTEN PLYS W/ (3) ROWS 16D NAILS AT 12" O.C. FROM EACH SIDE
  - 6.A - (3) PLY 20" TALL AND OVER; FASTEN PLYS W/ (4) ROWS 16D NAILS AT 12" O.C. FROM EACH SIDE

**FIELD INSTALLED FIRST FLOOR BEAM/HEADER SCHEDULE**

IDENTIFIER	DESCRIPTION	LENGTH	OPTIONS	ENS. NUM.	REMARKS
B01	INT HEADER - 2X8 - 2 PLY	5'-8 3/4"		103	
B02	BEAM STEEL - W12X26	20'-2"	SRI / SXS / FBA / FCA	105	
FF01-2	LVL - 11-04	20'-0"	GCB	119	PORTAL FRAME, 2 PLY, 1.A

**FIRST FLOOR PLAN**  
SCALE: 1/4" = 1'-0"

REVISIONS

REV. NO.	DATE	DESCRIPTION
1	08/05/16	N.L. - DRAWING ALIGNMENT
2	7/7/17	DRH - T-PLY CONVERSION

© NVR, Inc. NVR, Inc. reserves the right to modify these plans without notice. These plans are not to be reproduced, changed or copied in any way without the written consent of NVR, Inc.

**NVR**  
NVR, Inc. Suite 100  
Friedrichs, MD 21703  
5285 Washington Blvd.

SET NO. SIECO  
VERSION 05  
DRAWN BY  
DATE: 2/2/2015  
OPTION

MODEL  
**SIENNA**  
DRAWING TITLE  
FIRST FLOOR PLAN  
OPTION DESCRIPTION

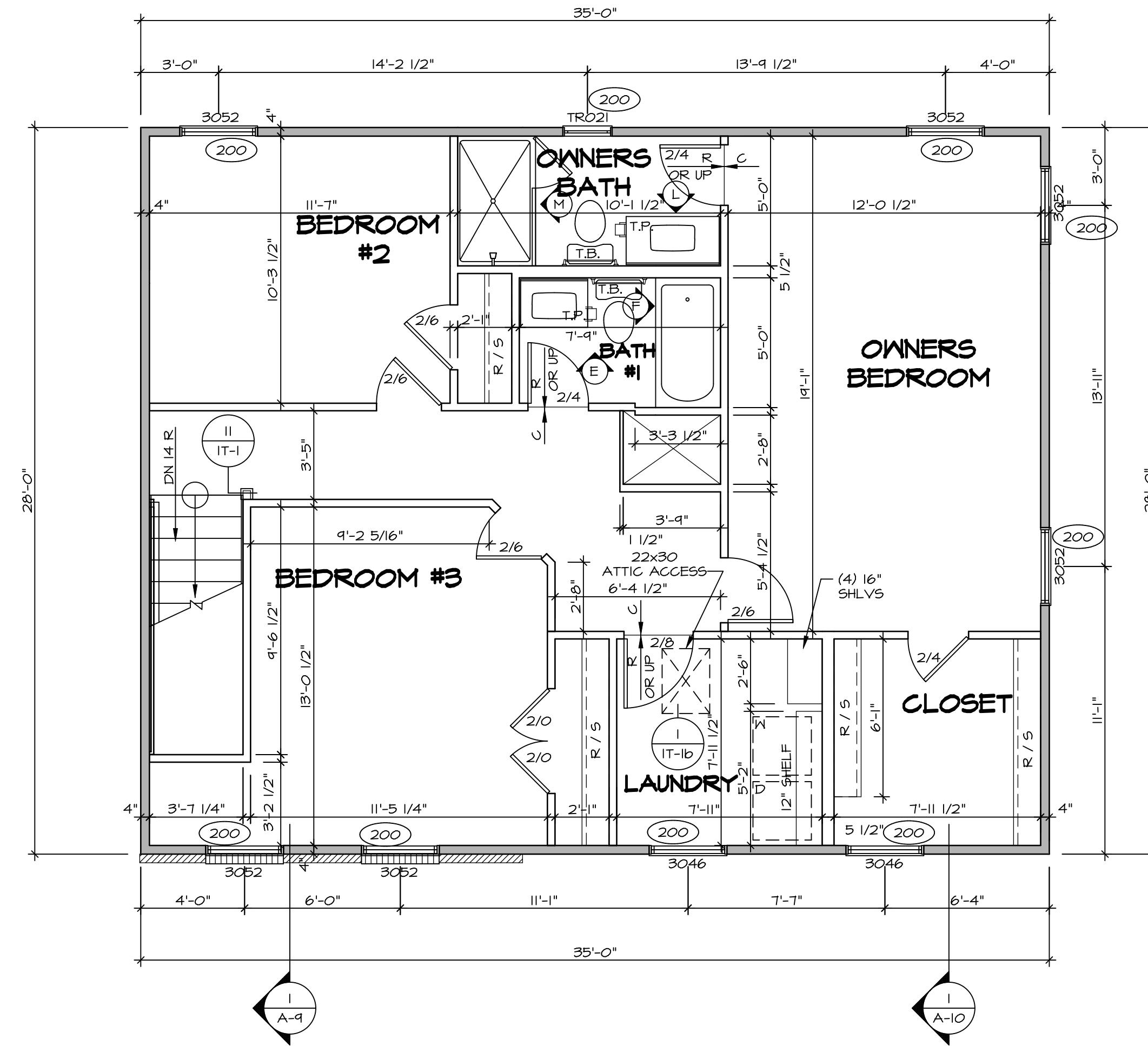
SHEET NO.  
**A-7**  
24

C:\NVR\Solves\SIENNA\_SIECO\_05\DC1-WI-M151\165579\Sheet\A-7\_PLN1\_LS.dwg 02/09/20 - 6:10 pm

LEGEND	
	BEARING WALL
	NON BEARING WALL
	INDICATES BEARING FROM POINT-LOAD ABOVE
	JACKS
	BEAM/HEADER
	PAD FOOTING
	STEEL COLUMN
	PORTAL FRAME
	JOIST/TRUSS
	LVL
	ENGINEERING PAGE NUMBER
SEE FC DETAILS FOR FRAMING CONNECTORS	

**FLOOR PLAN NOTES**

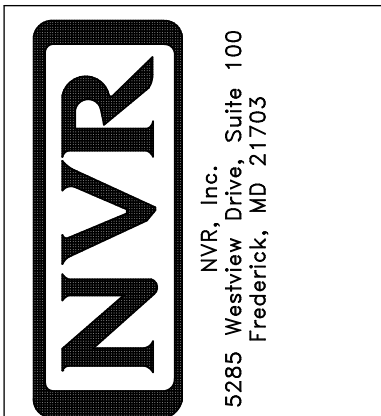
- ALL HEADERS ARE (2) 2x6 w/ 2x4 WALLS OR (3) 2x6 w/ 2x6 WALLS, UNLESS OTHERWISE NOTED.
- ALL HEADERS TO HAVE (1) 2x4 OR 2x6 JACK AND KING STUD EACH END, UNLESS OTHERWISE NOTED.
- ALL EXTERIOR WALLS TO BE 4" w/ OSB OR 3 1/2" w/ T-PLY, ALL INTERIOR WALLS TO BE 3 1/2", UNLESS OTHERWISE NOTED.
- HATCHED AREAS INDICATE DROPPED CEILING. ALL DROPPED CEILING ARE 12" UNLESS OTHERWISE NOTED.
- SEE "BRACED WALL PANEL DETAIL SHEET" FOR SPECIAL WALL FRAMING LOCATIONS AND HEADER SIZES, IF APPLICABLE.
- SEE STANDARD DETAIL CATEGORY "IT" SHEET(S) FOR INTERIOR TRIM DETAILS.
- SEE ARCHITECTURAL DETAIL SHEET "AD" FOR HOUSE SPECIFIC INTERIOR TRIM OPTION TABLE.
- ALL WINDOWS HAVE 7'-0 1/2" HEADER HEIGHT UNLESS OTHERWISE NOTED.
- ALL HEADERS IN NON-BEARING WALLS SHALL BE A SINGLE FLAT 2X4 OR 2X6 ATTACHED TO CRIPPLES ABOVE, UNLESS OTHERWISE NOTED.



**SECOND FLOOR PLAN**  
SCALE: 1/4" = 1'-0"

REV. NO.	DATE	REMARKS
1	08/09/16	N.L. - DRAWING ALIGNMENT
2	7/7/17	DRH - T-PLY CONVERSION

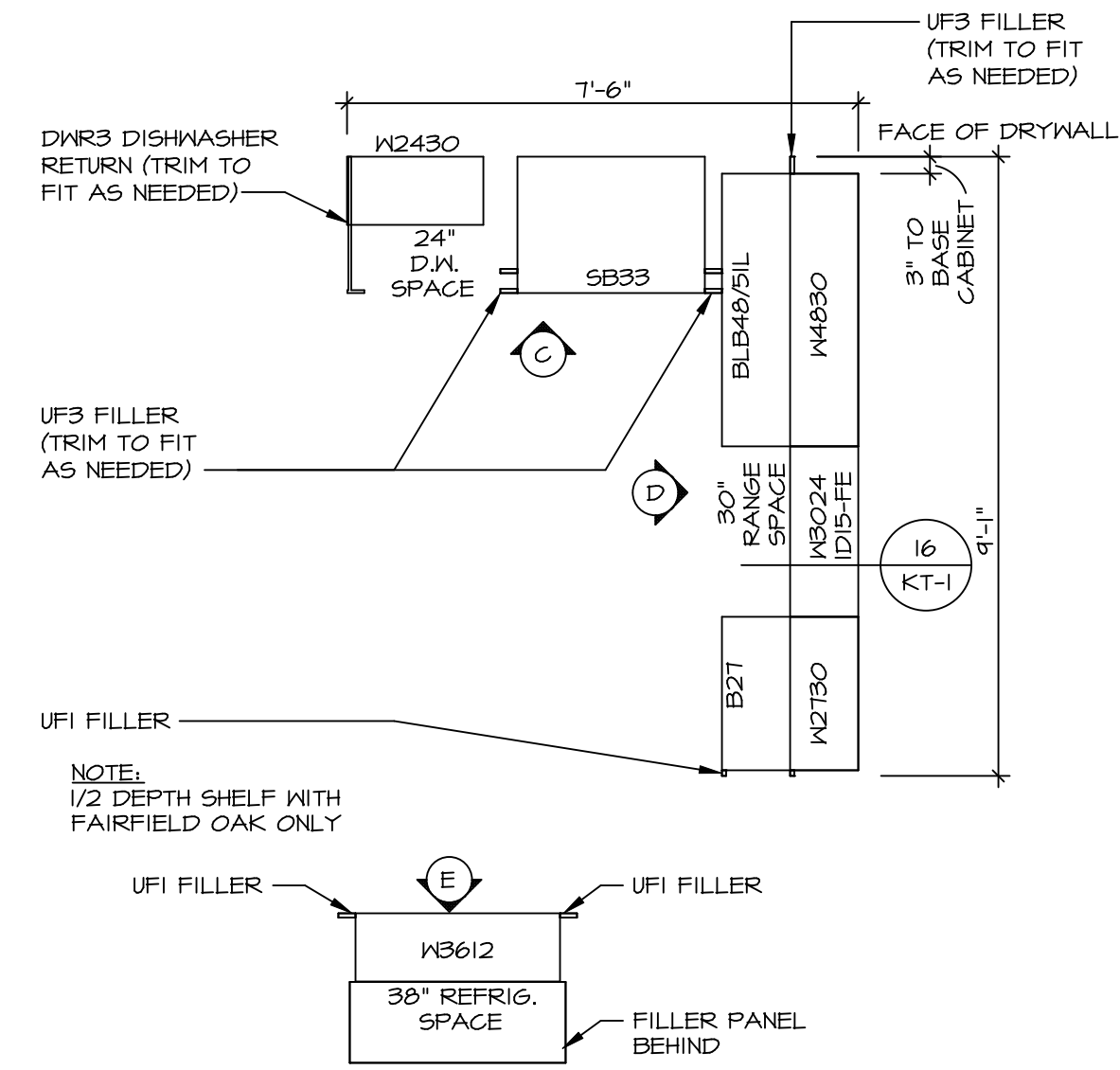
© NVR, Inc. expressly reserves the right to modify or amend these plans at any time without notice. These plans are not to be reproduced, changed or altered in any way without the written consent of NVR, Inc.



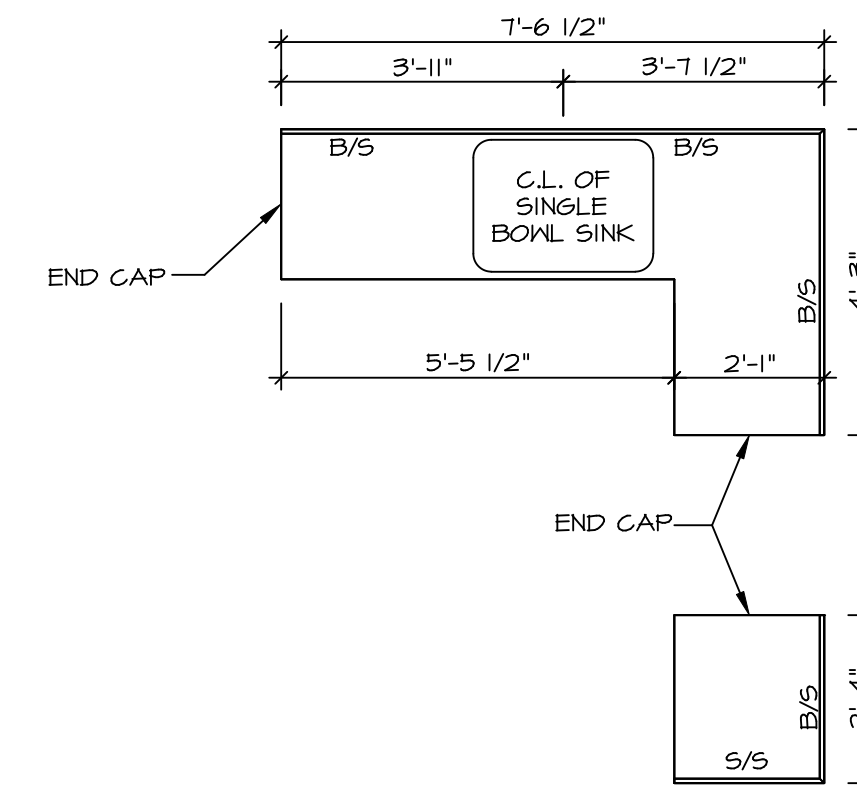
SET NO. SIECO	VERSION 05
DRAWN BY	DATE: 2/2/2015
OPTION	

MODEL	SIENNA
DRAWING TITLE	SECOND FLOOR PLAN
OPTION DESCRIPTION	

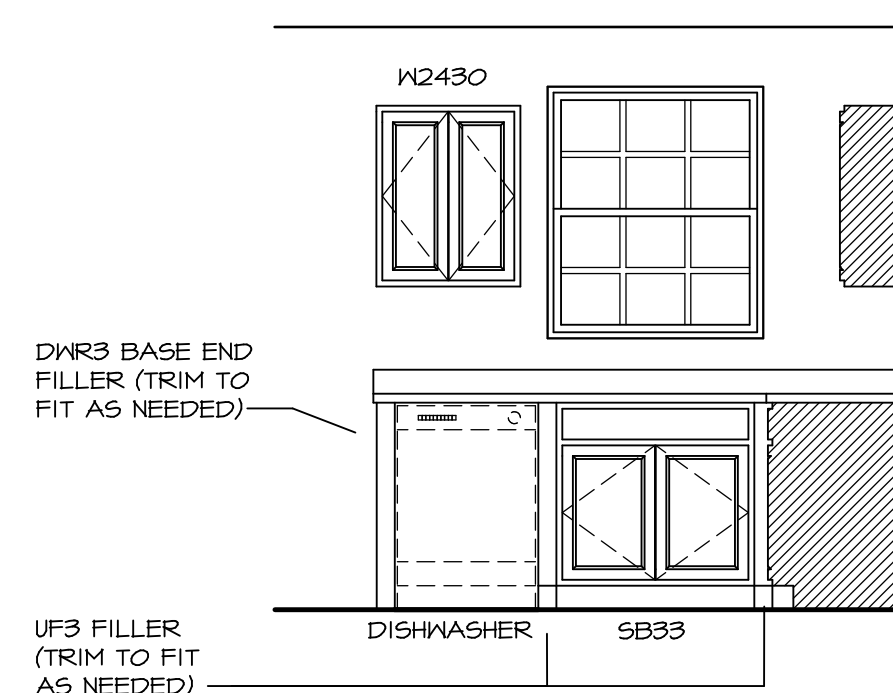
SHEET NO. **A-8**  
26



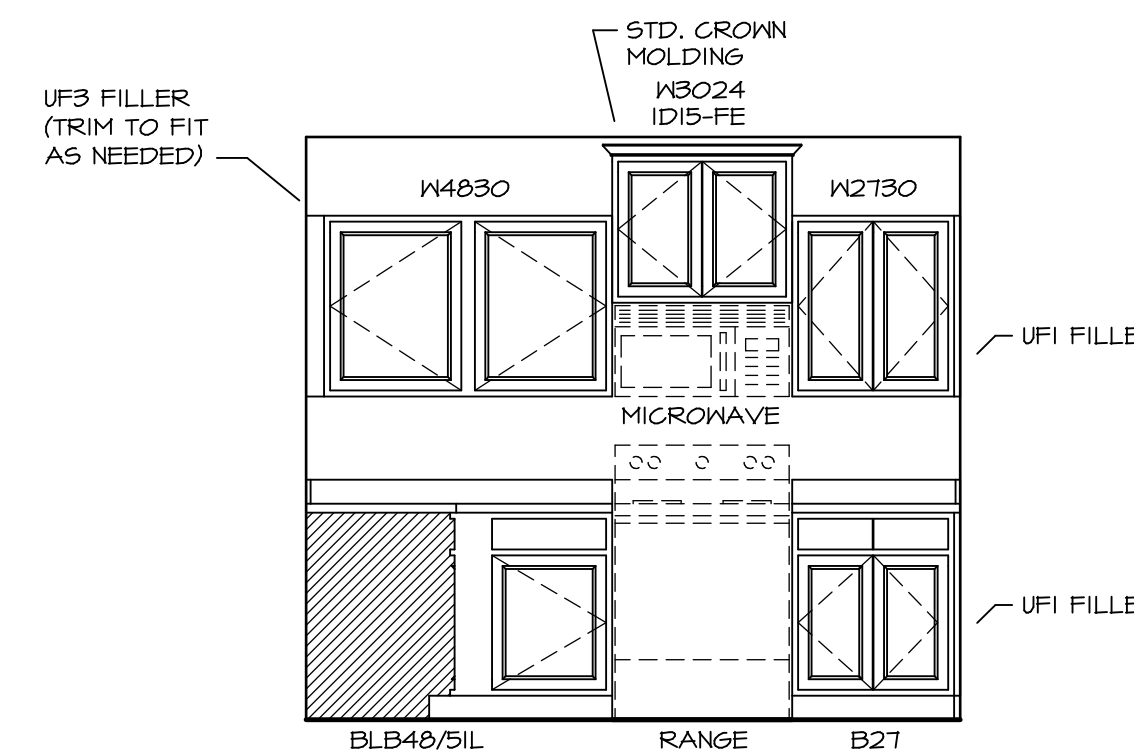
**1** **CABINET PLAN - KC-1924**  
 SCALE: 3/8" = 1'-0"  
 STANDARD KITCHEN w/ 30" WALL CABINETS



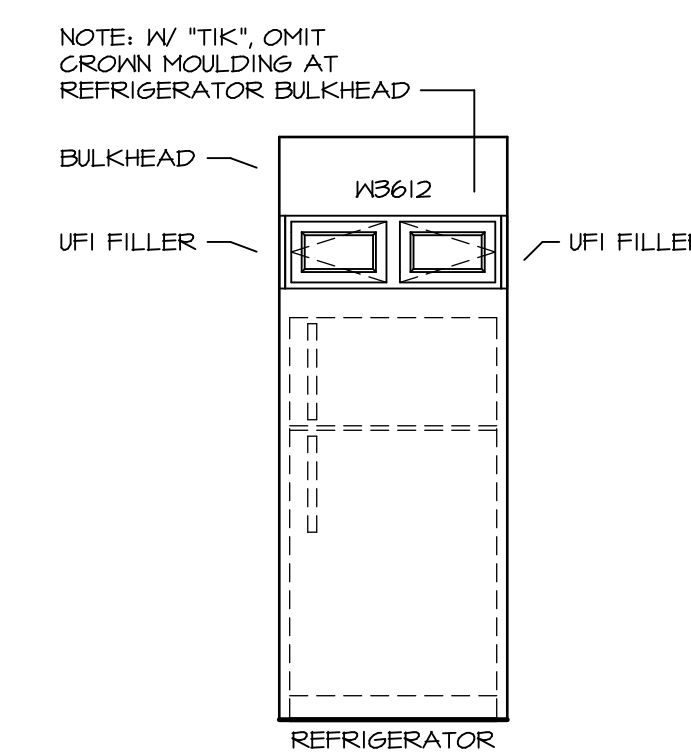
**3** **COUNTERTOP PLAN - KT-1924**  
 SCALE: 3/8" = 1'-0"  
 STANDARD KITCHEN w/ 30" WALL CABINETS



**C** **KITCHEN ELEVATION**  
 SCALE: 3/8" = 1'-0"



**D** **KITCHEN ELEVATION**  
 SCALE: 3/8" = 1'-0"

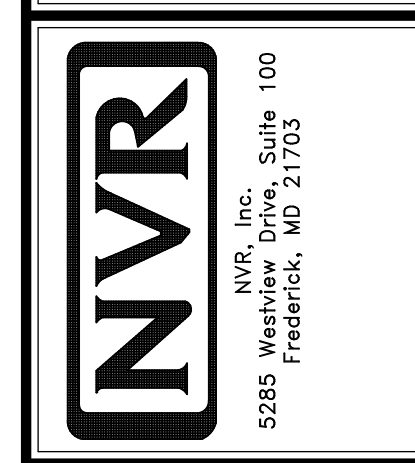


**E** **KITCHEN ELEVATION**  
 SCALE: 3/8" = 1'-0"

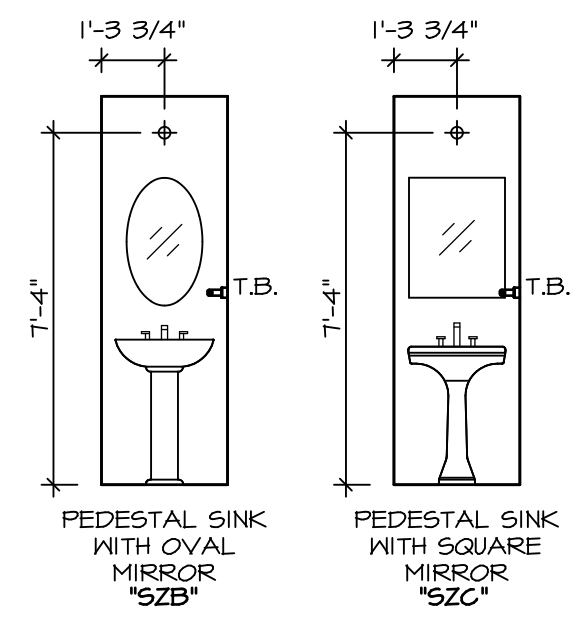
SHEET NO.	MODEL	SET NO.	VERSION	DATE	OPTION	REVISIONS	REMARKS
A-12	SIENNA KITCHENS	05	05	2/2/2015			
32							

SIENNA  
 DRAWING TITLE  
 KITCHENS  
 OPTION DESCRIPTION

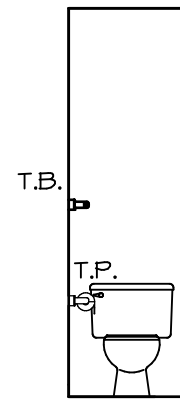
SET NO. SIECO  
 VERSION 05  
 DRAWN BY  
 DATE: 2/2/2015  
 OPTION



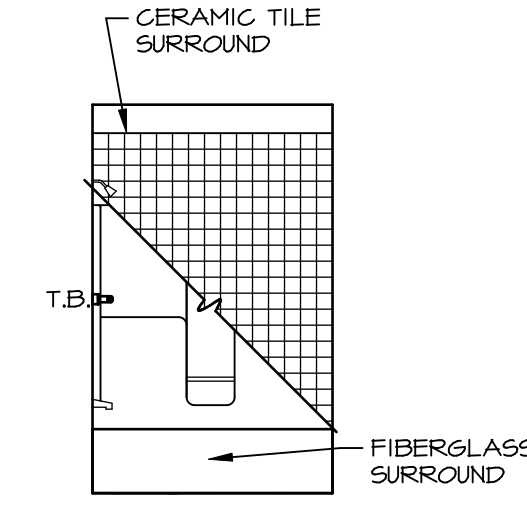
© NVR, Inc. expressly reserves the right to modify or discontinue, without notice, the products and services described in these plans. These plans are not to be reproduced, changed or altered in any way without the written consent of NVR, Inc.



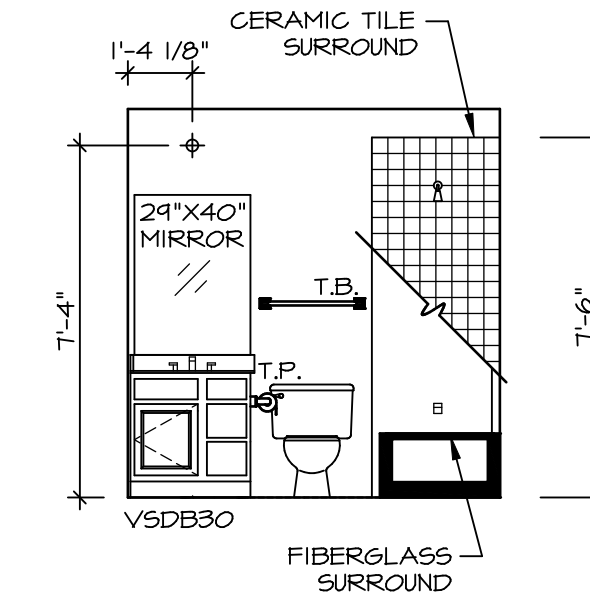
**D POWDER ROOM**  
SCALE: 1/4" = 1'-0"



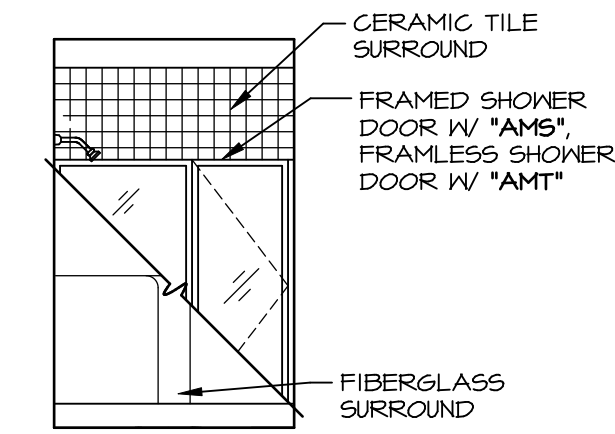
**C POWDER ROOM**  
SCALE: 1/4" = 1'-0"



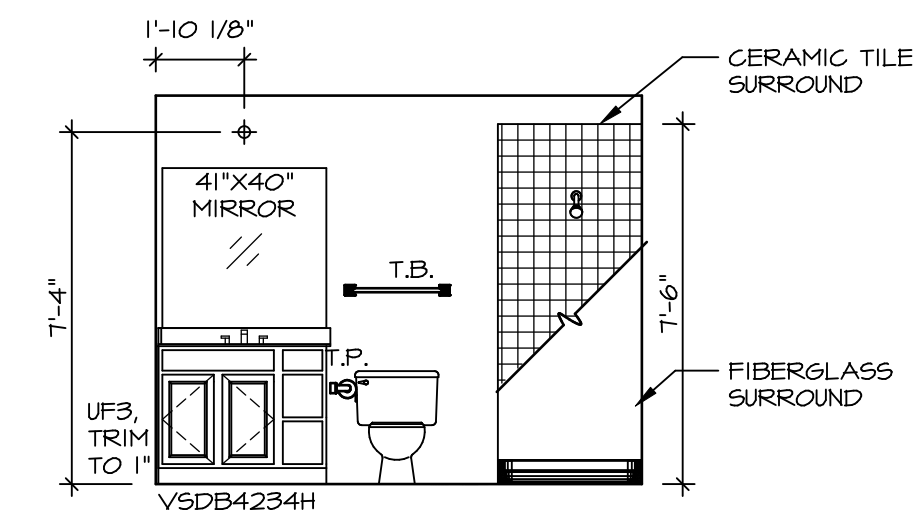
**F BATH #1**  
SCALE: 1/4" = 1'-0"



**E BATH #1**  
SCALE: 1/4" = 1'-0"



**M OWNER'S BATH (AMA)**  
SCALE: 1/4" = 1'-0"



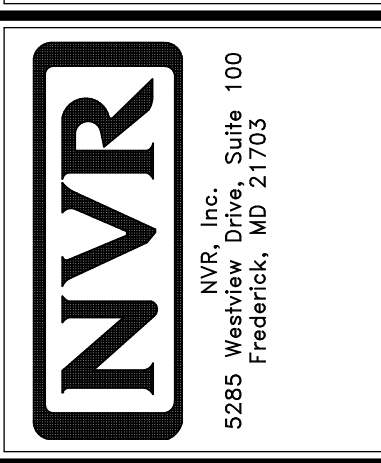
**L OWNER'S BATH (AMA)**  
SCALE: 1/4" = 1'-0"

**NOTES:**

1. TEMPERED GLASS SHOWER ENCLOSURE WITH SLIDING DOOR OR OPTIONAL SLIDING DOOR BY DIVISION
2. TUB ACCESS PANELS PROVIDED AS NEEDED, ALL MATERIALS BY DIVISION
3. REFER TO SHEET D-II FOR TUB AND SHOWER DETAILS.
4. ALL V5DB24-42 DRAWERS TO BE SET ON RIGHT HAND.
5. BATH ELEVATIONS ARE SHOWN PER PLAN.

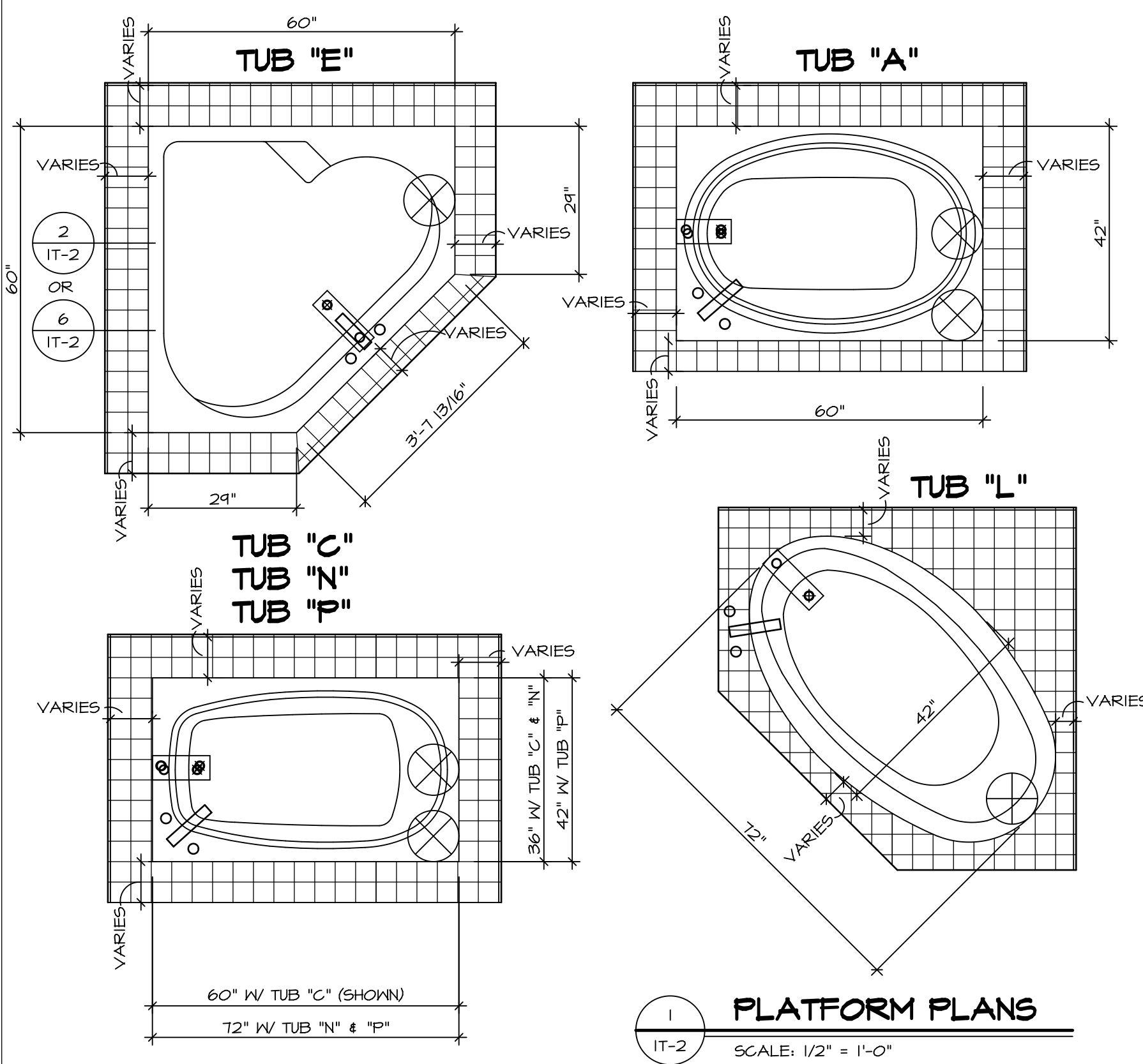
REV. NO.	DATE	REMARKS
1	08/05/16	N.L. - DRAWING ALIGNMENT

© NVR, Inc. expressly reserves the right to modify or change any of the information contained herein without notice. These plans are not to be reproduced, changed or altered in any way without the written consent of NVR, Inc.



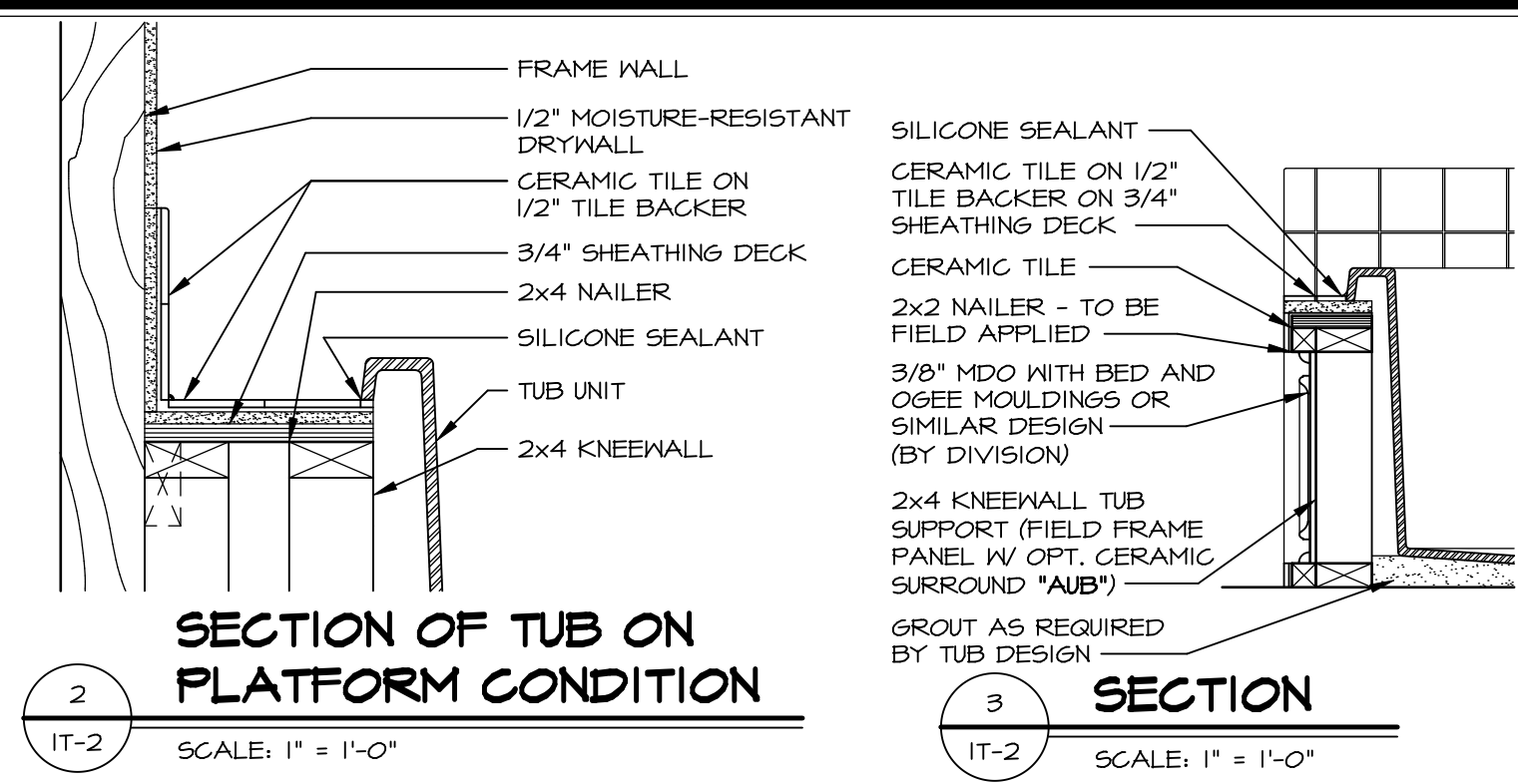
SHEET NO.	MODEL	SET NO.	VERSION	DATE	OPTION
A-13	SIENNA BATH ELEVATIONS	05	05	4/2/15	C5B
33					



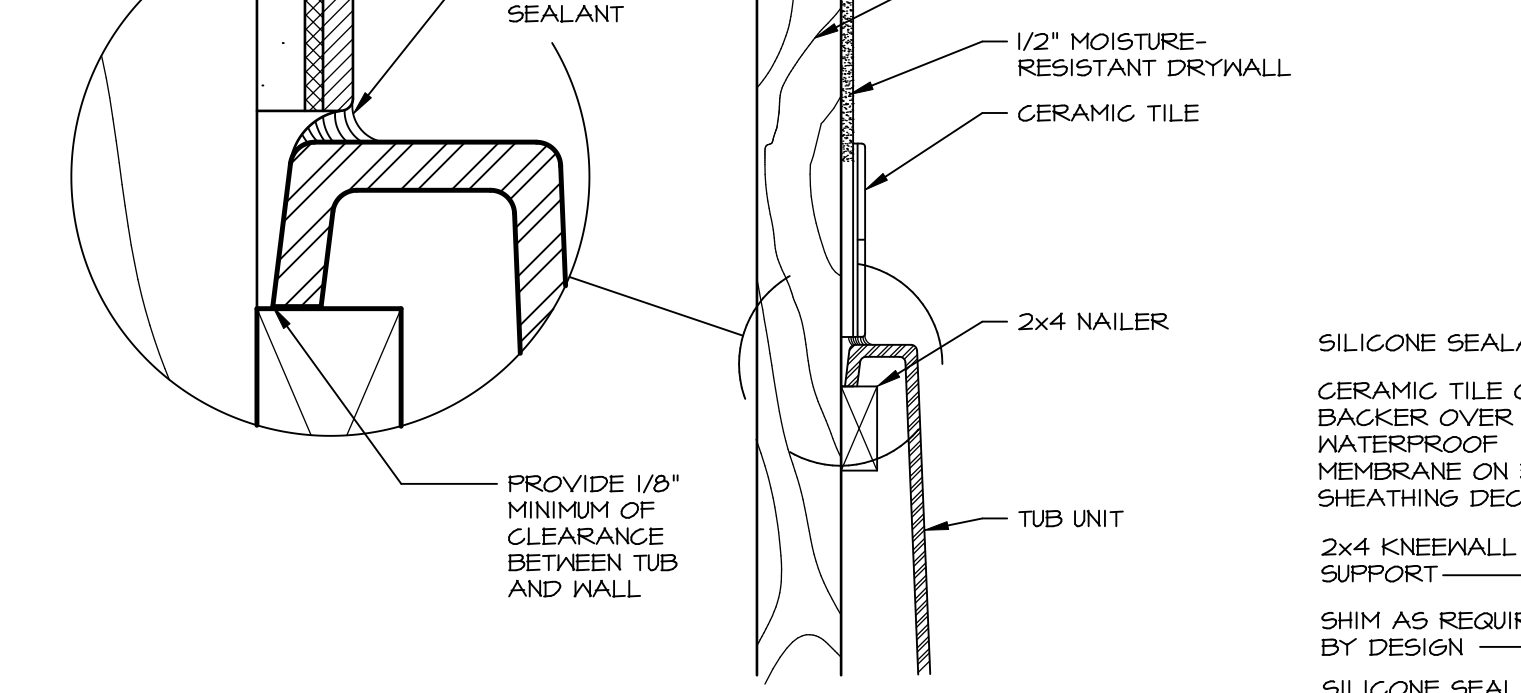


**1 PLATFORM PLANS**  
SCALE: 1/2" = 1'-0"

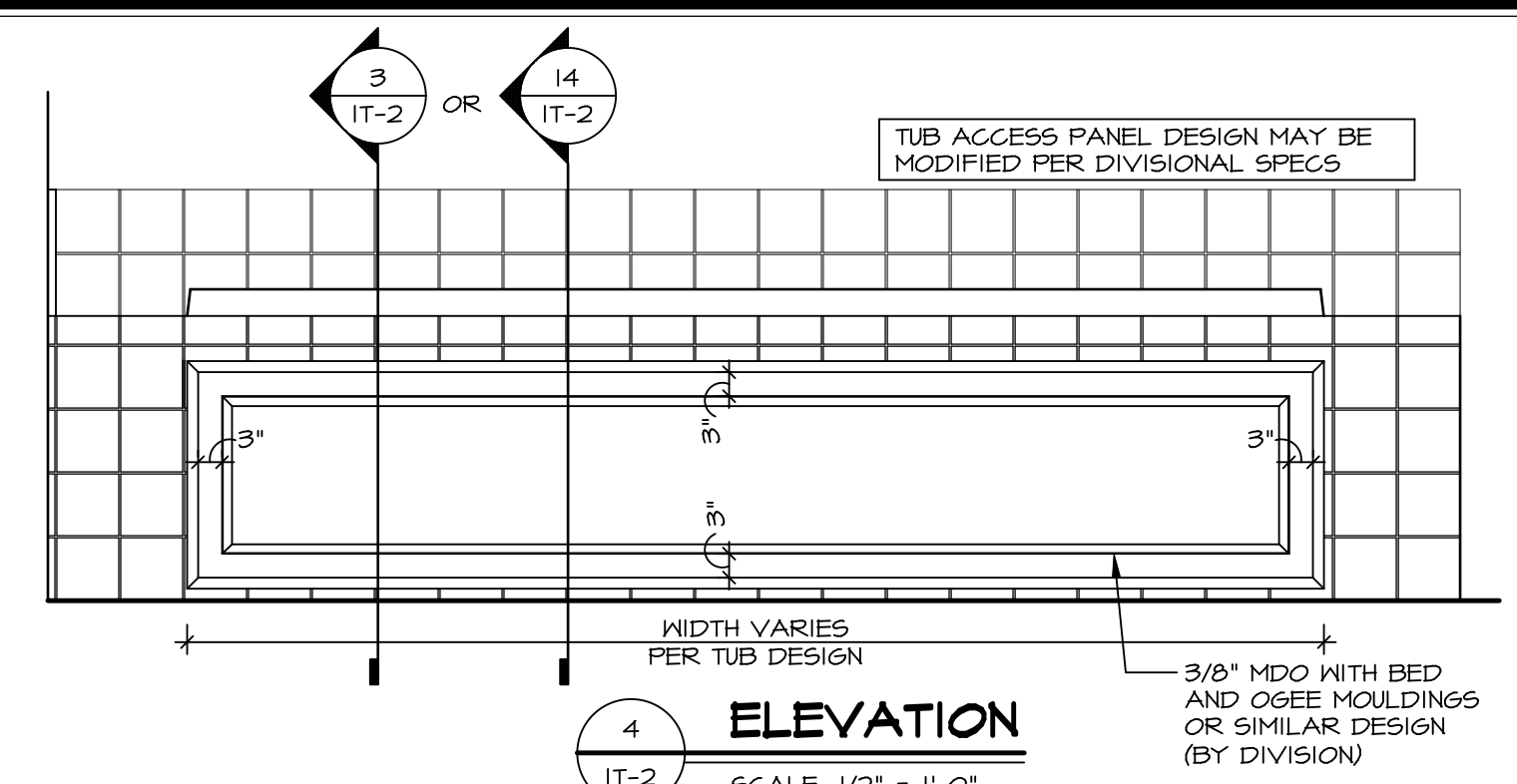
TUB	MANUF.	HEIGHT	WIDTH	LENGTH	TUB DECK PANEL HEIGHT
"A"	KOHLER/ STERLING	18 3/4"	42"	60"	17 1/8"
"C"	KOHLER/ STERLING	18 3/4"	36"	60"	17 1/8"
"E"	KOHLER/ STERLING	19 1/2"	60"	60"	17 7/8"
"L"	KOHLER/ STERLING	18 1/2"	42"	72"	16 7/8"
"N"	KOHLER/ STERLING	18 3/4"	36"	72"	17 1/8"
"P"	KOHLER/ STERLING	18 3/4"	42"	72"	17 1/8"



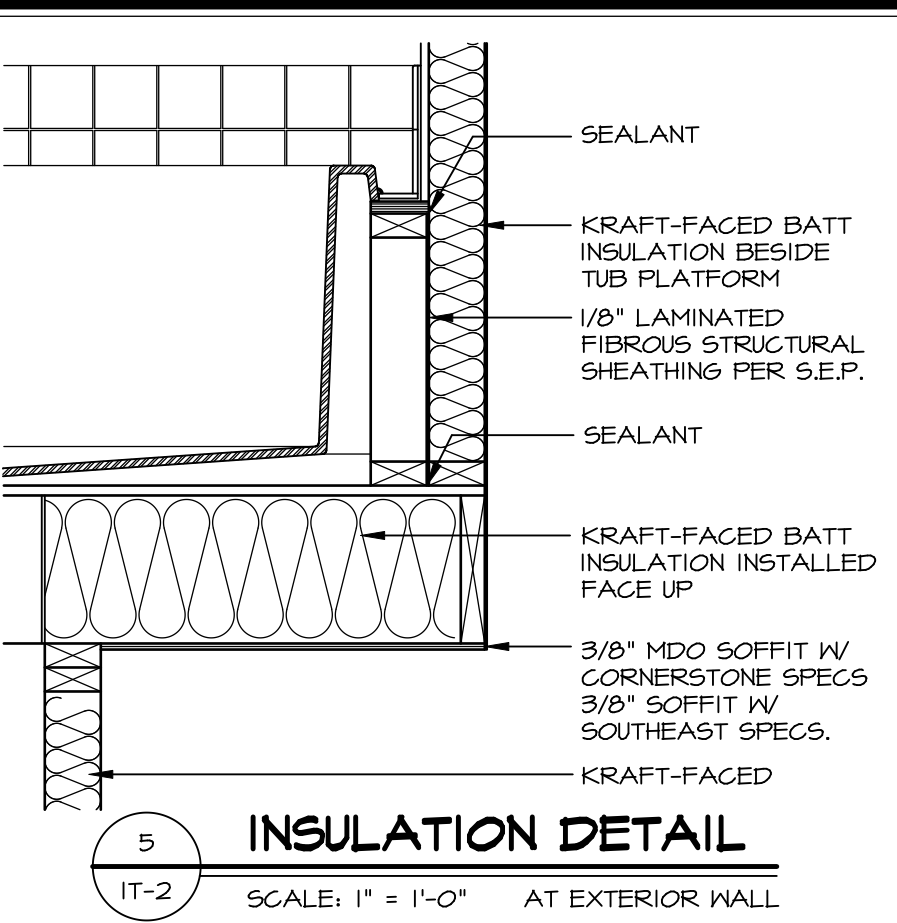
**2 SECTION OF TUB ON PLATFORM CONDITION**  
SCALE: 1" = 1'-0"



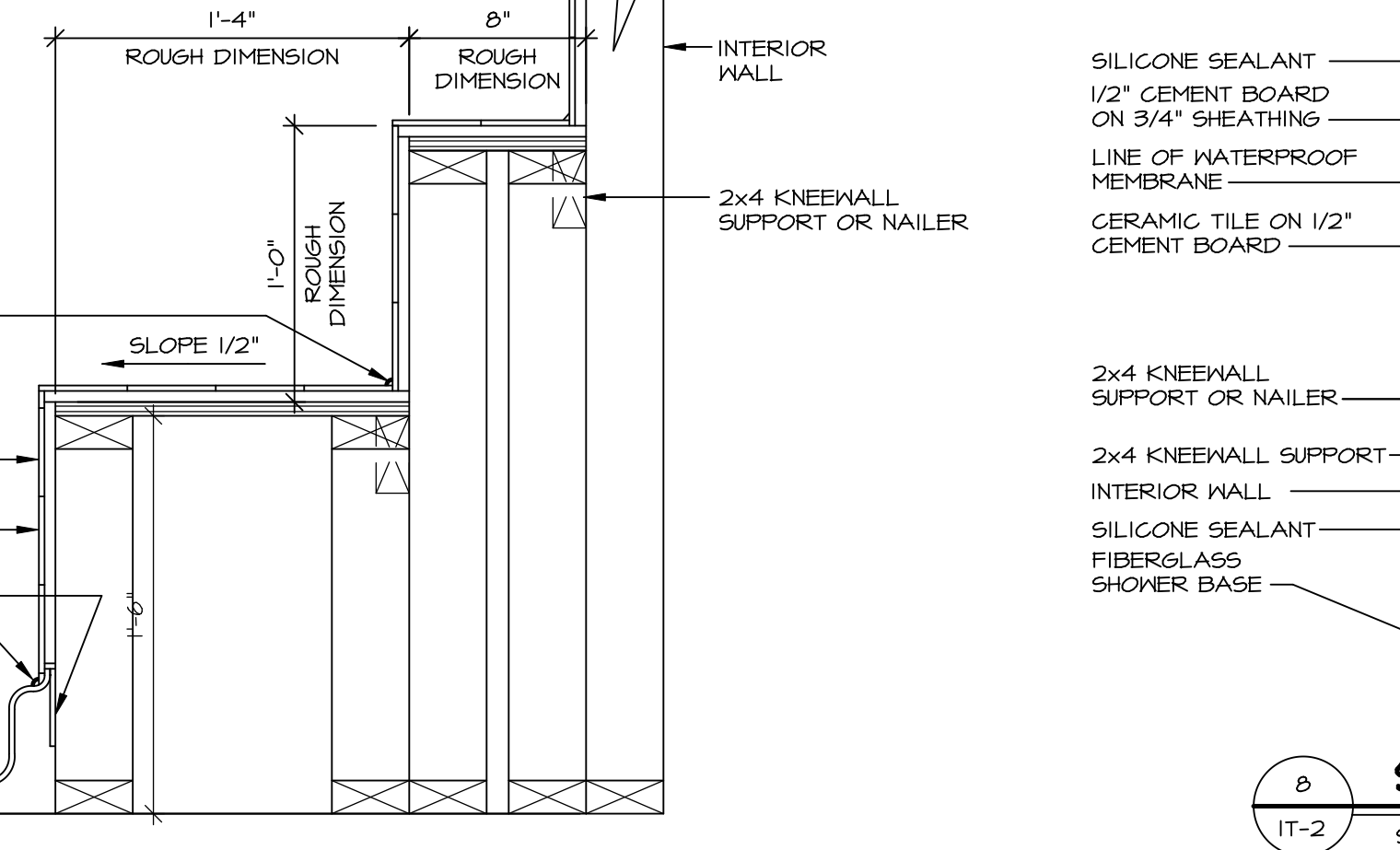
**3 SECTION OF TUB TO WALL CONDITION**  
SCALE: 1" = 1'-0"



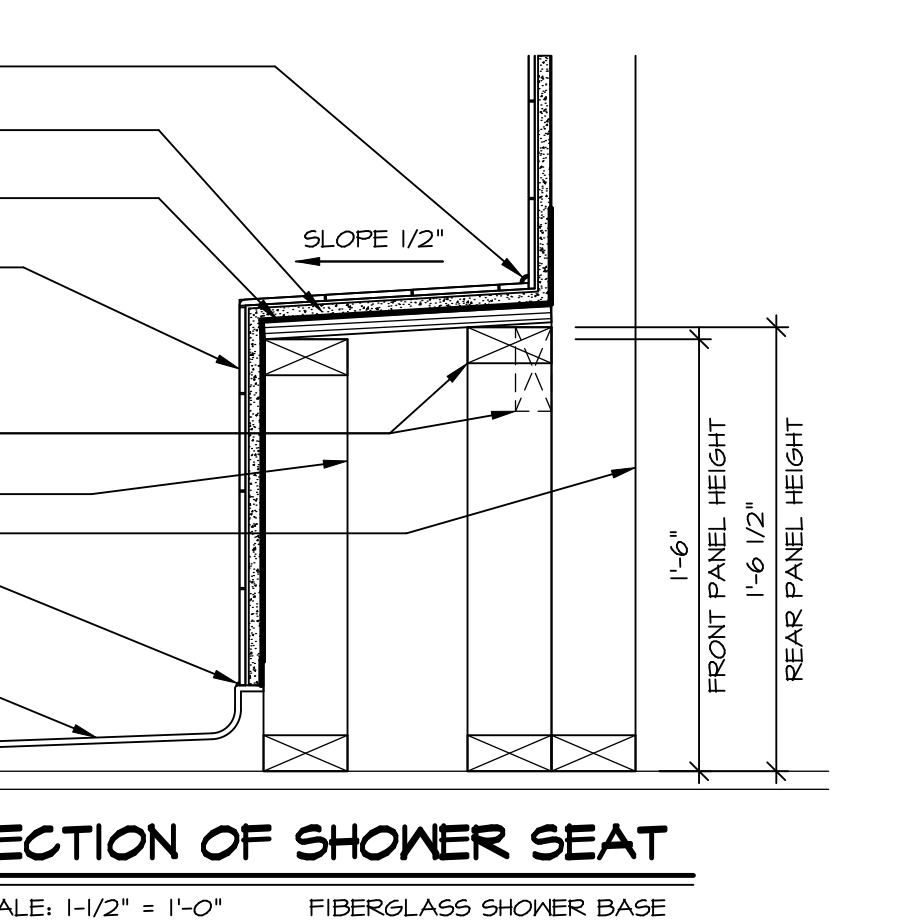
**4 ELEVATION**  
SCALE: 1/2" = 1'-0"



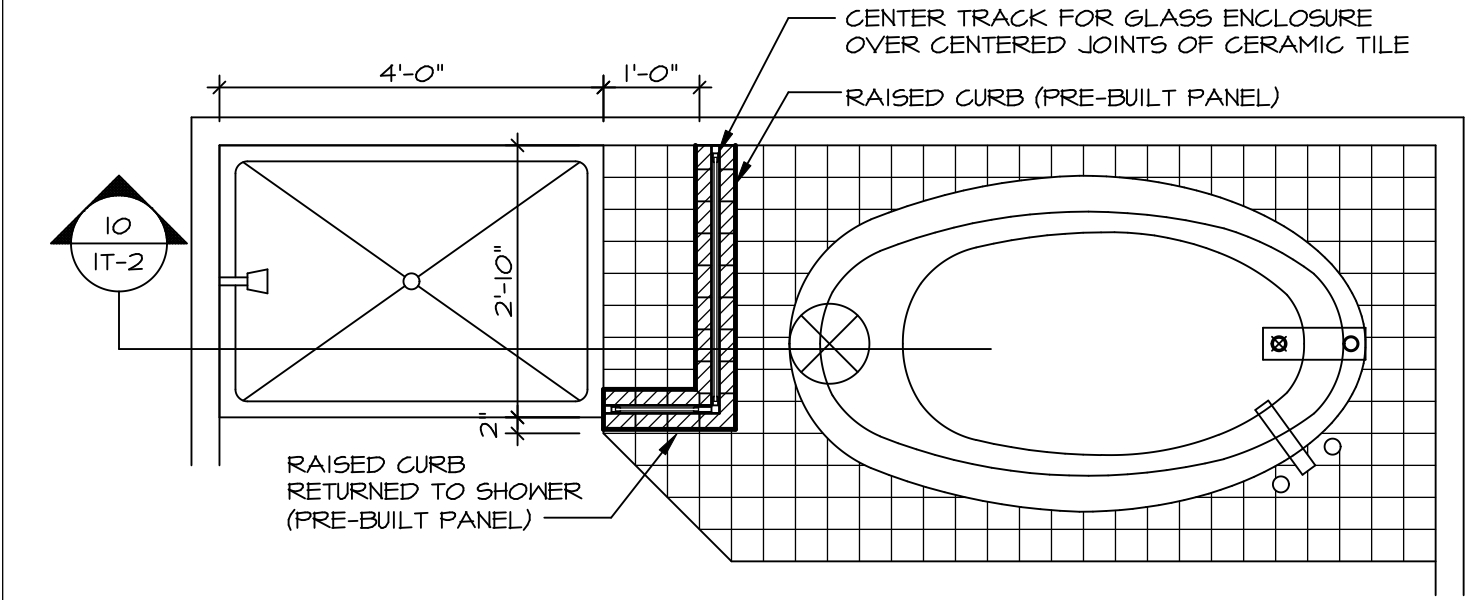
**5 INSULATION DETAIL**  
SCALE: 1" = 1'-0" AT EXTERIOR WALL



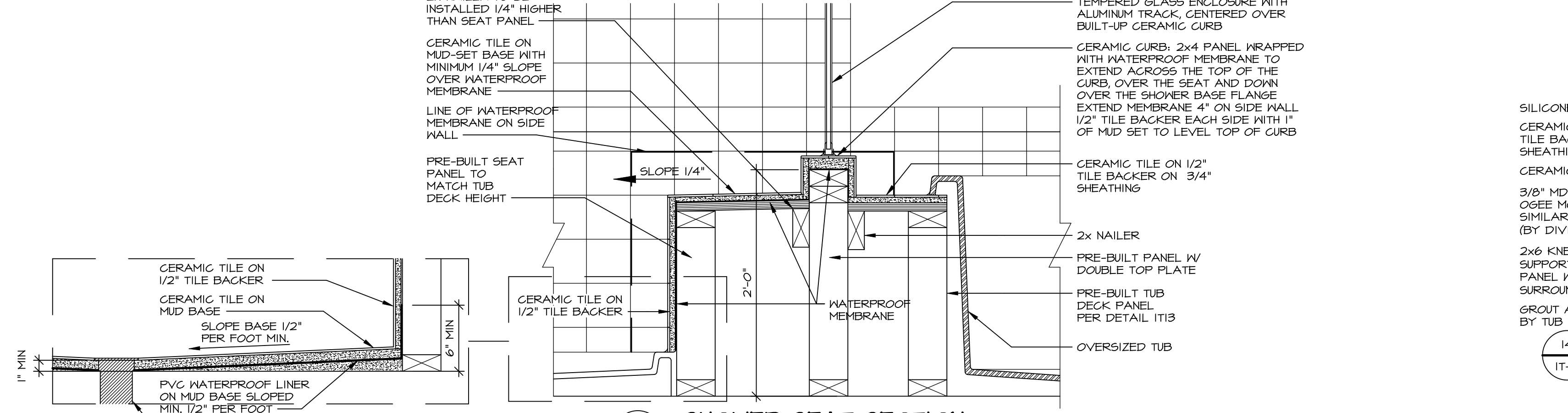
**7 SECTION OF SHOWER SEAT AND SHELF**  
SCALE: 1/2" = 1'-0"



**8 SECTION OF SHOWER SEAT**  
SCALE: 1-1/2" = 1'-0" FIBERGLASS SHOWER BASE



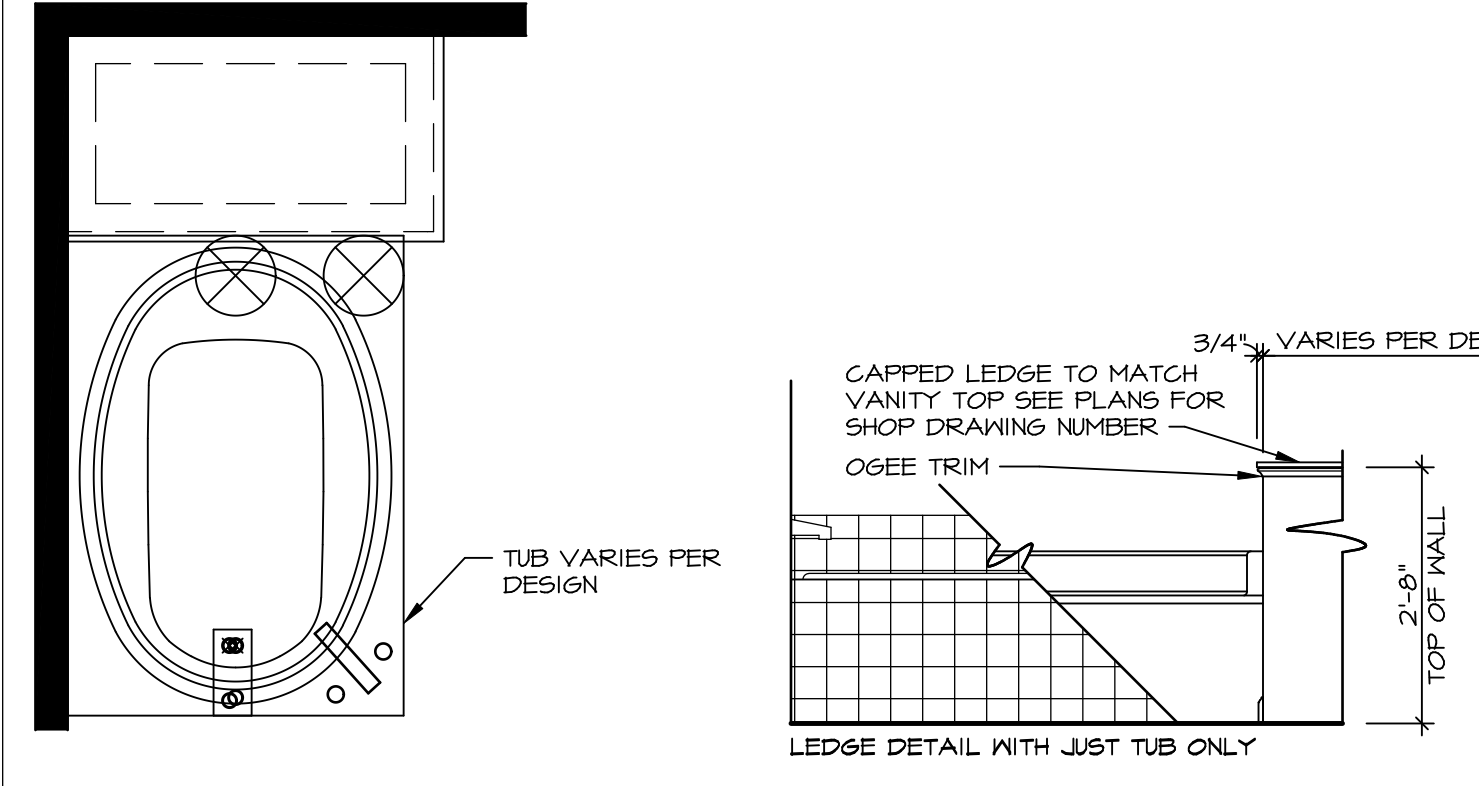
**9 SHOWER SEAT PLAN / DETAIL**  
SCALE: 1/2" = 1'-0"



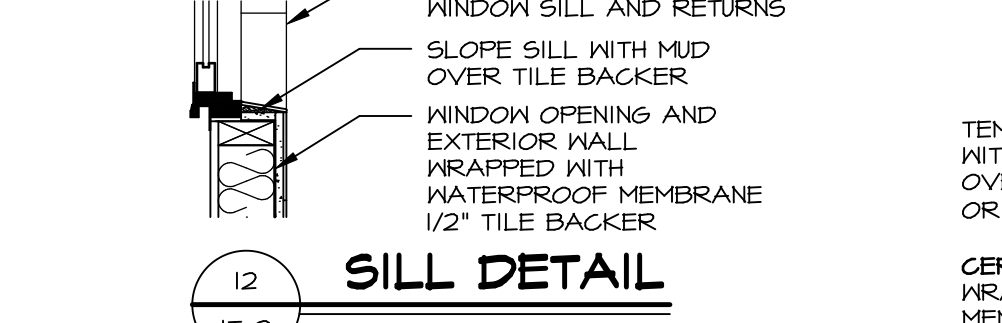
**10 SHOWER SEAT SECTION**  
SCALE: 1-1/2" = 1'-0"



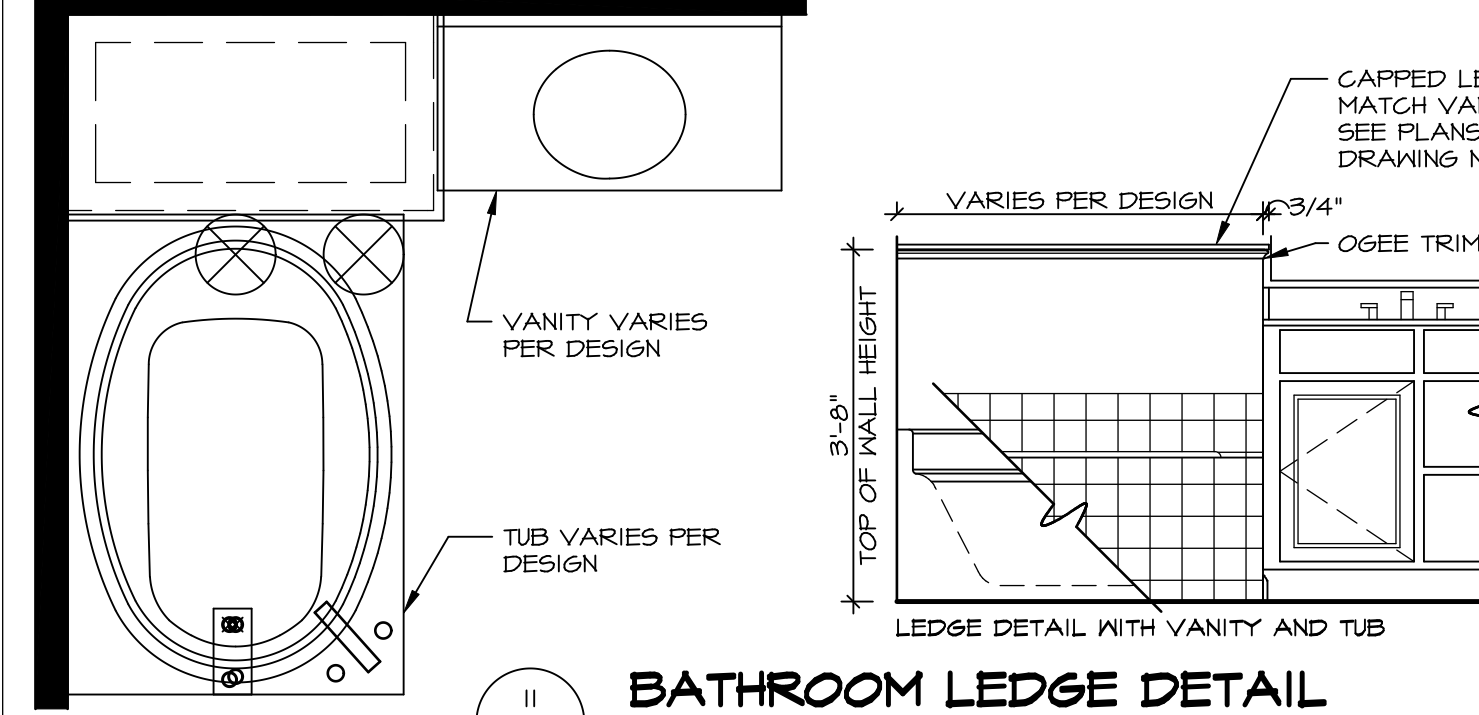
**11 ALTERNATE SHOWER PAN DETAIL**



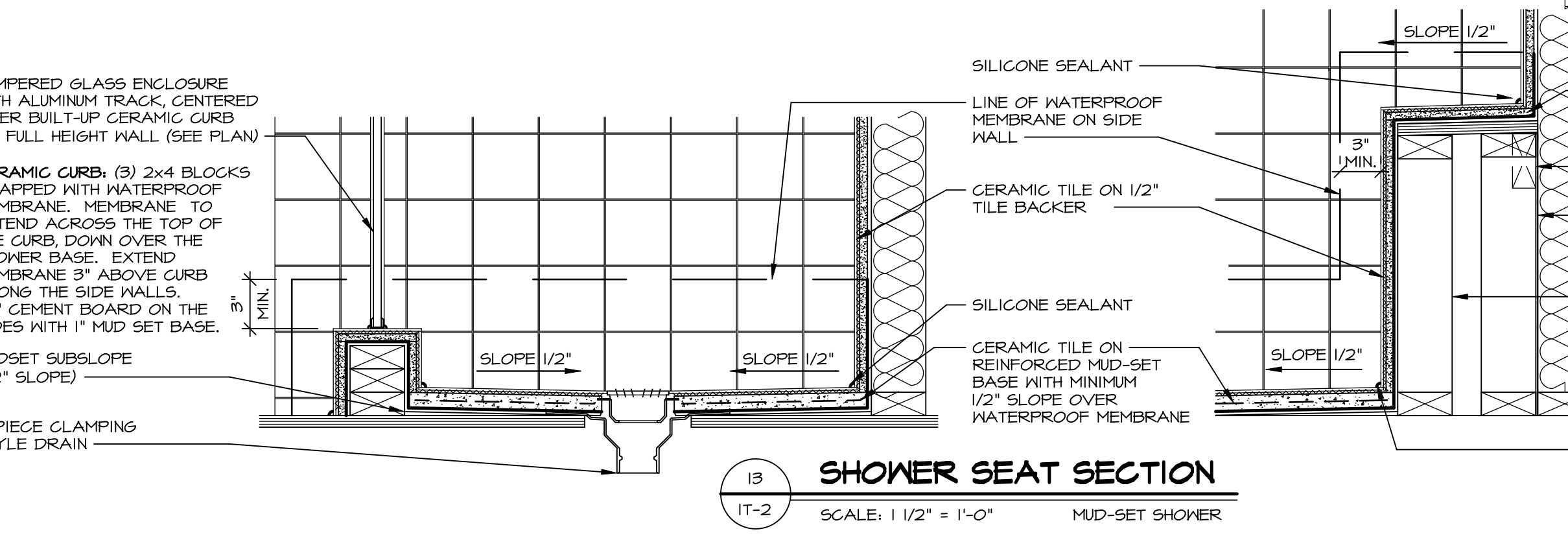
**12 BATHROOM LEDGE DETAIL**  
SCALE: 1" = 1'-0"



**13 SILL DETAIL**  
SCALE: 1" = 1'-0"



**14 BATHROOM LEDGE DETAIL**  
SCALE: 1/2" = 1'-0"

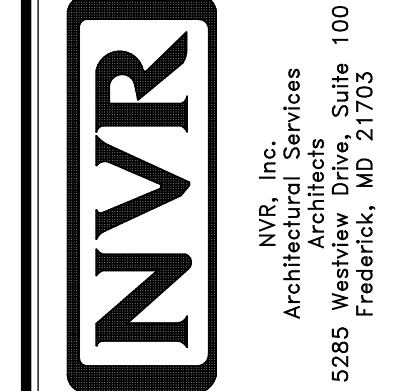


**13 SHOWER SEAT SECTION**  
SCALE: 1 1/2" = 1'-0" MUD-SET SHOWER

REMARKS

REV. NO.	DATE	DESCRIPTION
1	5/11/17	EBP - REVISED DETAIL I AND II TO REMOVE TUB ACCESS PANEL REF. (095 #15 3/4) 4
2	9/21/17	EBP - REVISED T-FLY NOTE TO CALL OUT LFS
3	9/21/17	EBP - REVISED NOTE ON DETAIL #1 - REVISED ORDER OF MATERIAL PARA#49304
4	8/28/18	EBP - DTL 8 / 19 ME REMOVED THE 2x6 BULKING AT BASE OF SHWR REQUEST #4663

NVR, Inc., owner, expressly reserves its common law copyright and other property rights in these plans. These plans are not to be copied, reproduced, or otherwise used in any way without the prior written consent of NVR, Inc.



SET NO.	MODEL	DRAWING TITLE	OPTION
1	STANDARD DETAILS	INTERIOR TRIM DETAILS	
2		BATH DETAILS	
3		OPTION DESCRIPTION	

SHEET NO. **IT-2**