

1
A-5 **PLUMBING PLAN**
SCALE: 1/4" = 1'-0"

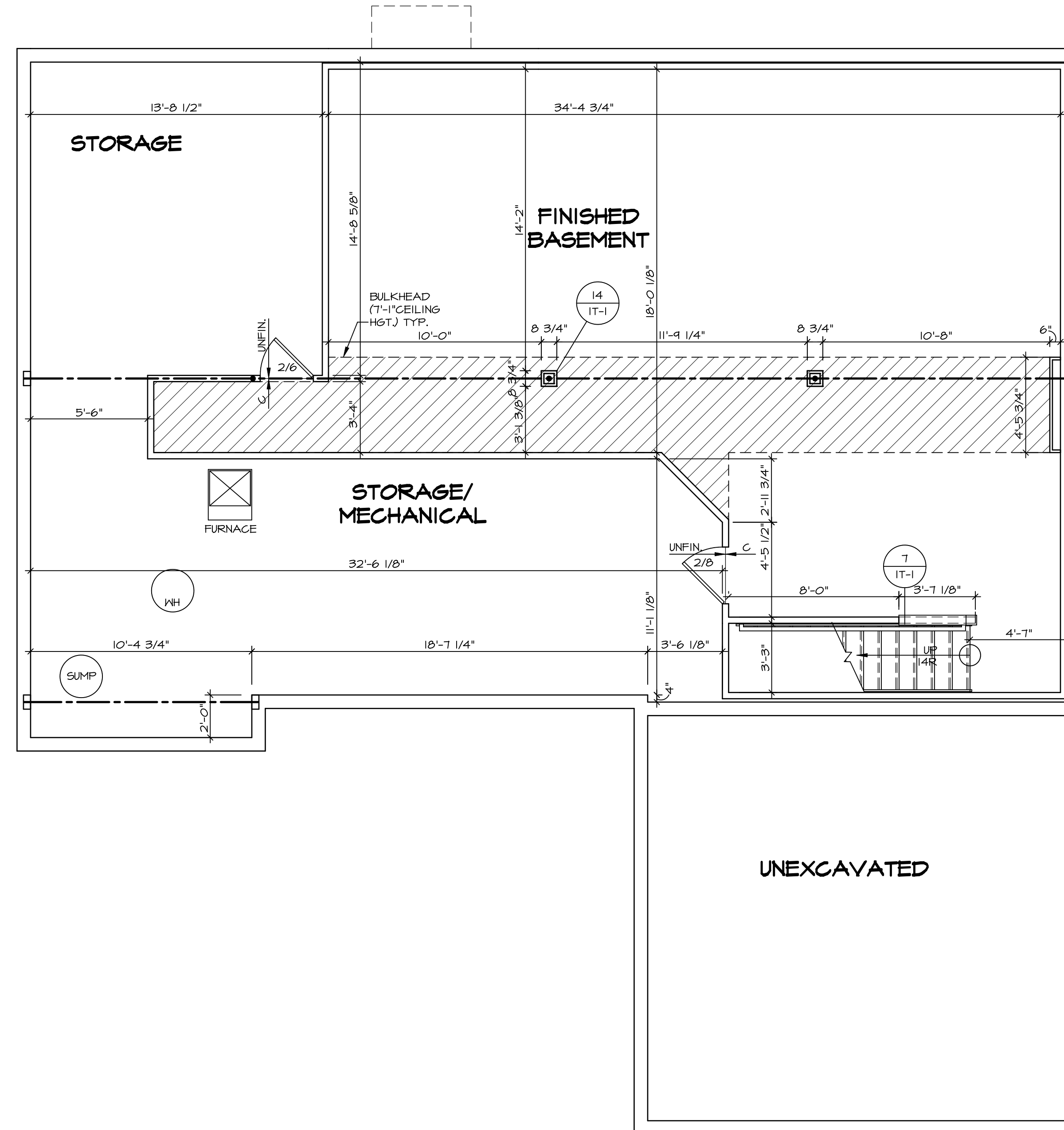
| | | |
|---------------------------------|---------------------------------------|-----------------------------|
| SHEET NO. A-5 | MODEL AVIANO | SET NO. A/A00 VERSION 01 |
| OPTION DESCRIPTION 26 | DRAWING TITLE PLUMBING PLAN | DRAWN BY |
| | DATE: | OPTION |

NVR
NVR, Inc., Suite 100
Frederick, MD 21703

© NVR, Inc. expressly reserves the right to modify or amend these plans at any time without notice. These plans are not to be reproduced, changed or altered in any way without the written consent of NVR, Inc.

DIV-COMM-LOT-UNIT
DCY-WI-MITI

COMM-LOT
MILSON FARMS - MITI
STREET ADDRESS
5656 GARRETT DRIVE
CITY
FRANKLIN
STATE
OH
ZIP
45005



| LEGEND | |
|--------|---|
| | BEARING WALL |
| | NON BEARING WALL |
| | INDICATES BEARING FROM POINT-LOAD ABOVE |
| | JACKS |
| | BEAM/HEADER |
| | PAD FOOTING |
| | STEEL COLUMN |
| | PORTAL FRAME |
| | JOIST/TRUSS |
| | LVL |
| | ENGINEERING PAGE NUMBER |

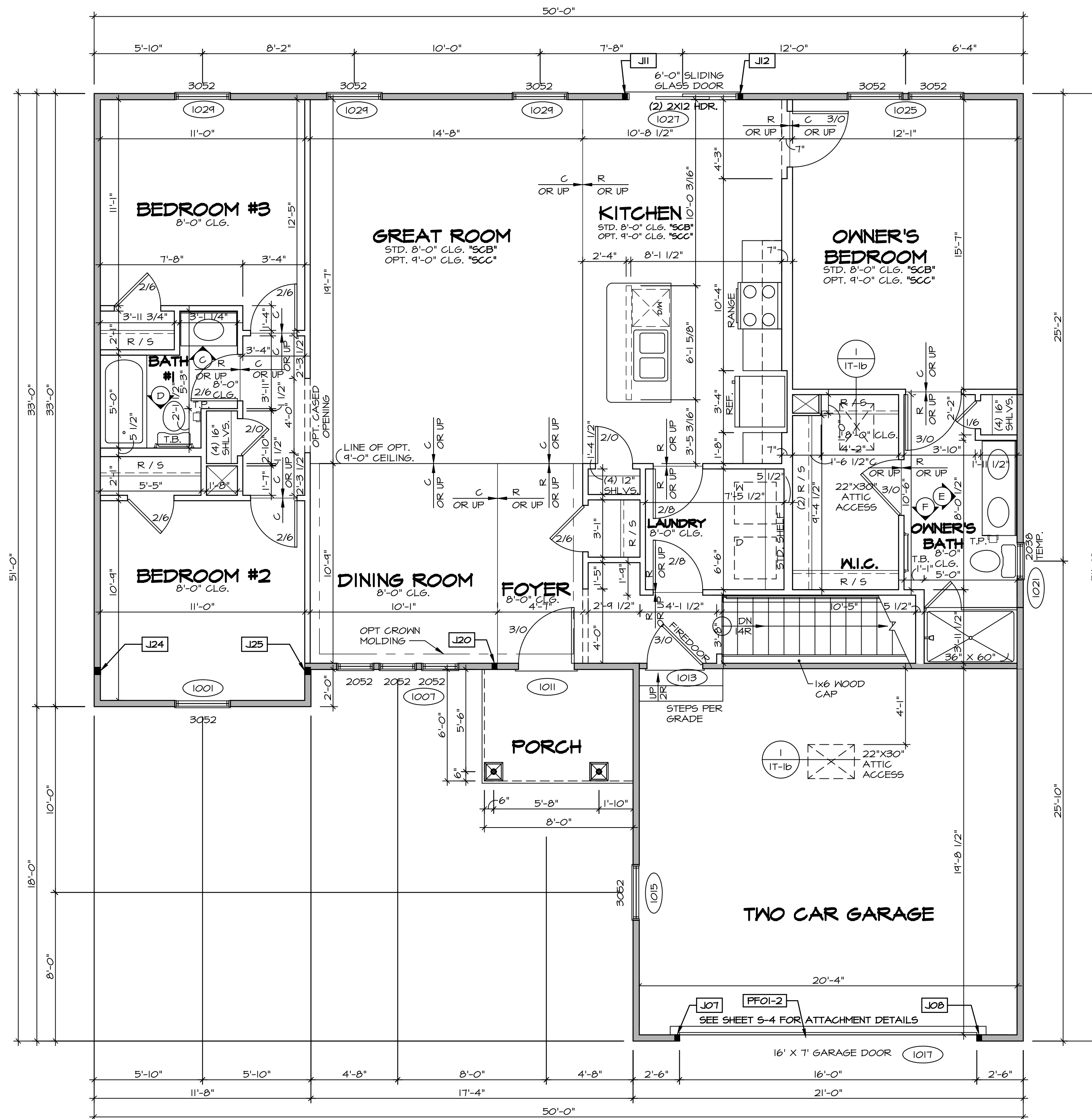
SEE FC DETAILS FOR FRAMING CONNECTORS

- FLOOR PLAN NOTES**
- ALL HEADERS ARE (2) 2x6 w/ 2x4 WALLS OR (3) 2x6 w/ 2x6 WALLS, UNLESS OTHERWISE NOTED.
 - ALL HEADERS TO HAVE (1) 2x4 OR 2x6 JACK EACH END, UNLESS OTHERWISE NOTED.
 - ALL EXTERIOR WALLS TO BE 4" AND ALL INTERIOR WALLS TO BE 3 1/2", UNLESS OTHERWISE NOTED.
 - HATCHED AREAS INDICATE DROPPED CEILINGS. ALL DROPPED CEILINGS ARE 12" UNLESS OTHERWISE NOTED.
 - SEE "BRACED WALL PANEL DETAIL SHEET" FOR SPECIAL WALL FRAMING LOCATIONS AND HEADER SIZES, IF APPLICABLE.
 - SEE STANDARD DETAIL CATEGORY "IT" SHEET(S) FOR INTERIOR TRIM DETAILS.
 - SEE ARCHITECTURAL DETAIL SHEET "AD" FOR HOUSE SPECIFIC INTERIOR TRIM OPTION TABLE.
 - ALL WINDOWS HAVE 7'-0 1/2" HEADER HEIGHT UNLESS OTHERWISE NOTED.

- GYPSUM NOTES**
- AT GARAGE:
 GYPSUM BOARD AT COMMON WALLS, CEILING, BEAM WRAPS AND SUPPORTS PER STANDARD DETAIL FA-1(b) FIRE ASSEMBLIES OR AS REQUIRED BY LOCAL CODE.
- AT STAIRS:
 1/2" GYPSUM BOARD AT UNDERSIDE OF STAIRS AND WALLS IN CLOSET

| | | | | | | |
|-------------------------|------------------------|--|------------|---|--------------|--------|
| SHEET NO. A-6 | MODEL AVIANO | SET NO. A/A00 | VERSION 01 | DRAWING TITLE BASEMENT FLOOR PLAN | DATE: 4/1/15 | OPTION |
| | | DRAWN BY SGA | | | | |
| | | | | 5285 Walkersville Rd, Suite 100 Frederick, MD 21703 | | |
| | | © NVR, Inc. expressly reserves the right to modify or amend these plans at any time without notice. These plans are not to be reproduced, changed or altered in any way without the written consent of NVR, Inc. | | DIV-COMM-LOT-UNIT DCY-WI-MIT1 COMM-LOT WILSON FARMS - MIT1 STREET ADDRESS 5656 GARRETT DRIVE CITY FRANKLIN STATE OH ZIP 45005 | | |

BASEMENT FLOOR PLAN
 SCALE: 1/4" = 1'-0"



FIRST FLOOR PLAN
SCALE: 1/4" = 1'-0"

LEGEND

| | |
|--|---|
| | BEARING WALL |
| | NON BEARING WALL |
| | INDICATES BEARING FROM POINT-LOAD ABOVE |
| | JACKS |
| | BEAM/HEADER |
| | PAD FOOTING |
| | STEEL COLUMN |
| | PORTAL FRAME |
| | JOIST/TRUSS |
| | LVL |
| | ENGINEERING PAGE NUMBER |

SEE FC DETAILS FOR FRAMING CONNECTORS

- FLOOR PLAN NOTES**
- ALL HEADERS ARE (2) 2x6 w/ 2x4 WALLS OR (3) 2x6 w/ 2x6 WALLS, UNLESS OTHERWISE NOTED.
 - ALL HEADERS TO HAVE (1) 2x4 OR 2x6 JACK AND KING STUD EACH END, UNLESS OTHERWISE NOTED.
 - ALL EXTERIOR WALLS TO BE 4" w/ OSB OR 3 1/2" w/ T-PLY, ALL INTERIOR WALLS TO BE 3 1/2", UNLESS OTHERWISE NOTED.
 - HATCHED AREAS INDICATE DROPPED CEILING. ALL DROPPED CEILING ARE 12" UNLESS OTHERWISE NOTED.
 - SEE "BRACED WALL PANEL DETAIL SHEET" FOR SPECIAL WALL FRAMING LOCATIONS AND HEADER SIZES, IF APPLICABLE.
 - SEE STANDARD DETAIL CATEGORY "IT" SHEET(S) FOR INTERIOR TRIM DETAILS.
 - SEE ARCHITECTURAL DETAIL SHEET "AD" FOR HOUSE SPECIFIC INTERIOR TRIM OPTION TABLE.
 - ALL WINDOWS HAVE 7'-0 1/2" HEADER HEIGHT UNLESS OTHERWISE NOTED.
 - ALL HEADERS IN NON-BEARING WALLS SHALL BE A SINGLE FLAT 2X4 OR 2X6 ATTACHED TO CRIPPLES ABOVE, UNLESS OTHERWISE NOTED.

- GYPSUM NOTES**
- AT GARAGE:**
GYPSUM BOARD AT COMMON WALLS, CEILING, BEAM WRAPS AND SUPPORTS PER STANDARD DETAIL FA-1(b) FIRE ASSEMBLIES OR AS REQUIRED BY LOCAL CODE.
- AT STAIRS:**
1/2" GYPSUM BOARD AT UNDERSIDE OF STAIRS AND WALLS IN CLOSET

LVL PLY TO PLY FASTENING SCHEDULE:

- 1A - (2) PLY UP TO AND INCLUDING 11 7/8" TALL; FASTEN PLYS w/ (2) ROWS 16D NAILS AT 12" O.C.
- 2A - (2) PLY 14" TO AND 18" TALL (INCLUSIVE); FASTEN PLYS w/ (3) ROWS 16D NAILS AT 12" O.C.
- 3A - (2) PLY 20" TALL AND OVER; FASTEN PLYS w/ (4) ROWS 16D NAILS AT 12" O.C.
- 4A - (3) PLY UP TO AND INCLUDING 11 7/8" TALL; FASTEN PLYS w/ (2) ROWS 16D NAILS AT 12" O.C. FROM EACH SIDE
- 5A - (3) PLY 14" TO AND 18" TALL (INCLUSIVE); FASTEN PLYS w/ (3) ROWS 16D NAILS AT 12" O.C. FROM EACH SIDE
- 6A - (3) PLY 20" TALL AND OVER; FASTEN PLYS w/ (4) ROWS 16D NAILS AT 12" O.C. FROM EACH SIDE

FIELD INSTALLED FIRST FLOOR BEAM/HEADER SCHEDULE

| IDENTIFIER | DESCRIPTION | LENGTH | OPTIONS | ENG. NUM. | REMARKS |
|------------|---------------------------|--------|---------|-----------|---------|
| PF01-2 | EXT HEADER - 2X12 - 2 PLY | 20'-4" | GCB | 1017 | |

FIRST FLOOR JACK SCHEDULE

| IDENTIFIER | DESCRIPTION | OPTIONS | ENG. NUM. | REMARKS |
|------------|-------------------------------|---------|-----------|---------|
| J01 | JACK - (2) 2X4 SFF STUD GRADE | GCB | 1017 | |
| J08 | JACK - (2) 2X4 SFF STUD GRADE | GCB | 1017 | |
| J11 | JACK - (2) 2X4 SFF STUD GRADE | | 1021 | |
| J12 | JACK - (2) 2X4 SFF STUD GRADE | | 1021 | |
| J20 | JACK - (2) 2X4 SFF STUD GRADE | ELK | 1033 | |
| J24 | JACK - (3) 2X4 SFF STUD GRADE | | 1036 | |
| J25 | JACK - (3) 2X4 SFF STUD GRADE | | 1036 | |

DCY-WI-MIT1

AVIANO MODEL
DRAWING TITLE
FIRST FLOOR PLAN

SET NO. A1A00
VERSION 01
DRAWN BY SGA
DATE: 9/9/15
OPTION

AVIANO MODEL
DRAWING TITLE
FIRST FLOOR PLAN

SHEET NO. A-7

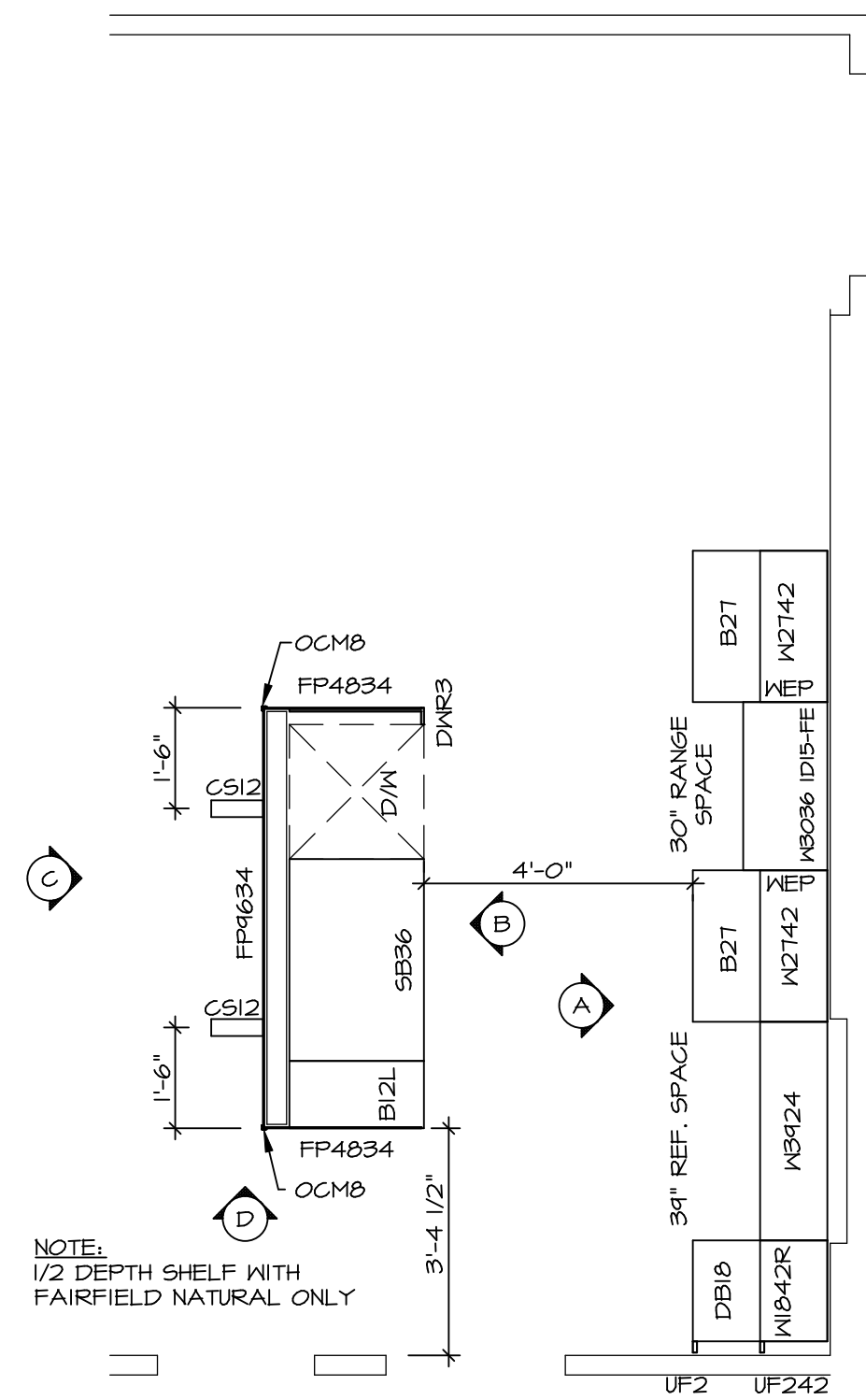
31

© NVR, Inc. expressly reserves the right to modify these plans without notice. These plans are not to be reproduced, changed or altered in any way without the written consent of NVR, Inc.

NVR, Inc. Suite 100
5285 Washington Ave.
Frederick, MD 21703

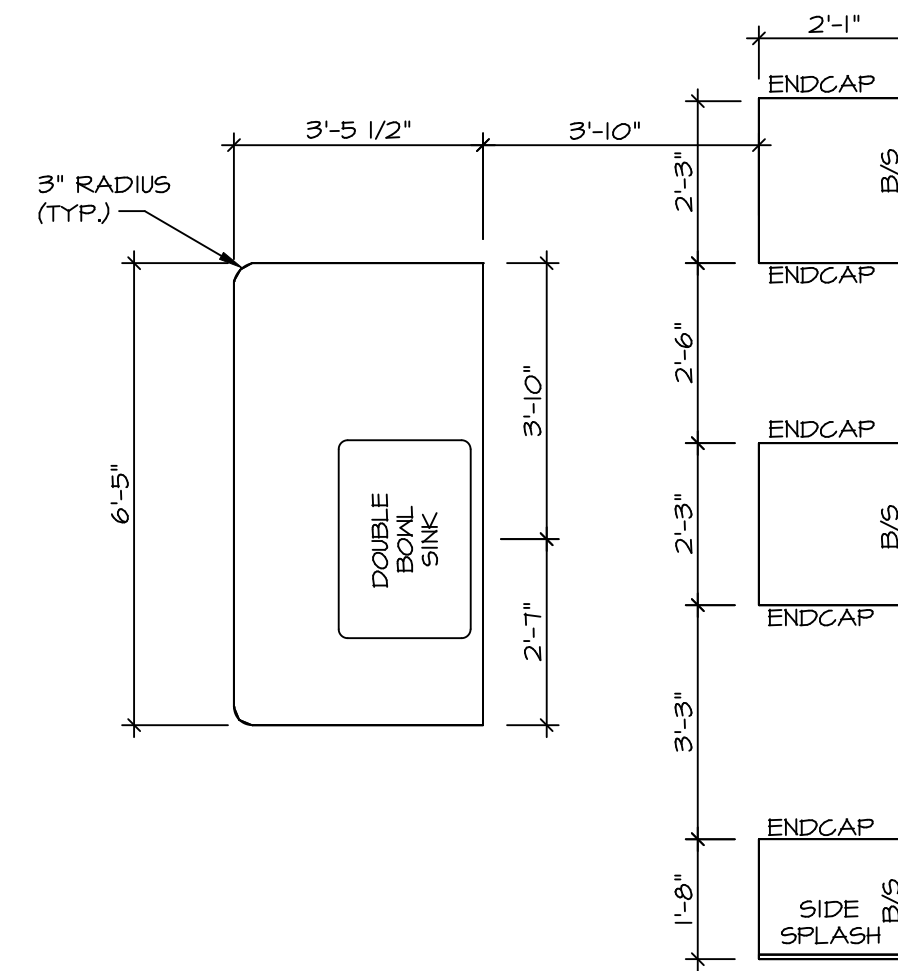
5285 Washington Ave.
Frederick, MD 21703

© NVR, Inc. 01/21/20 - 2:52.am



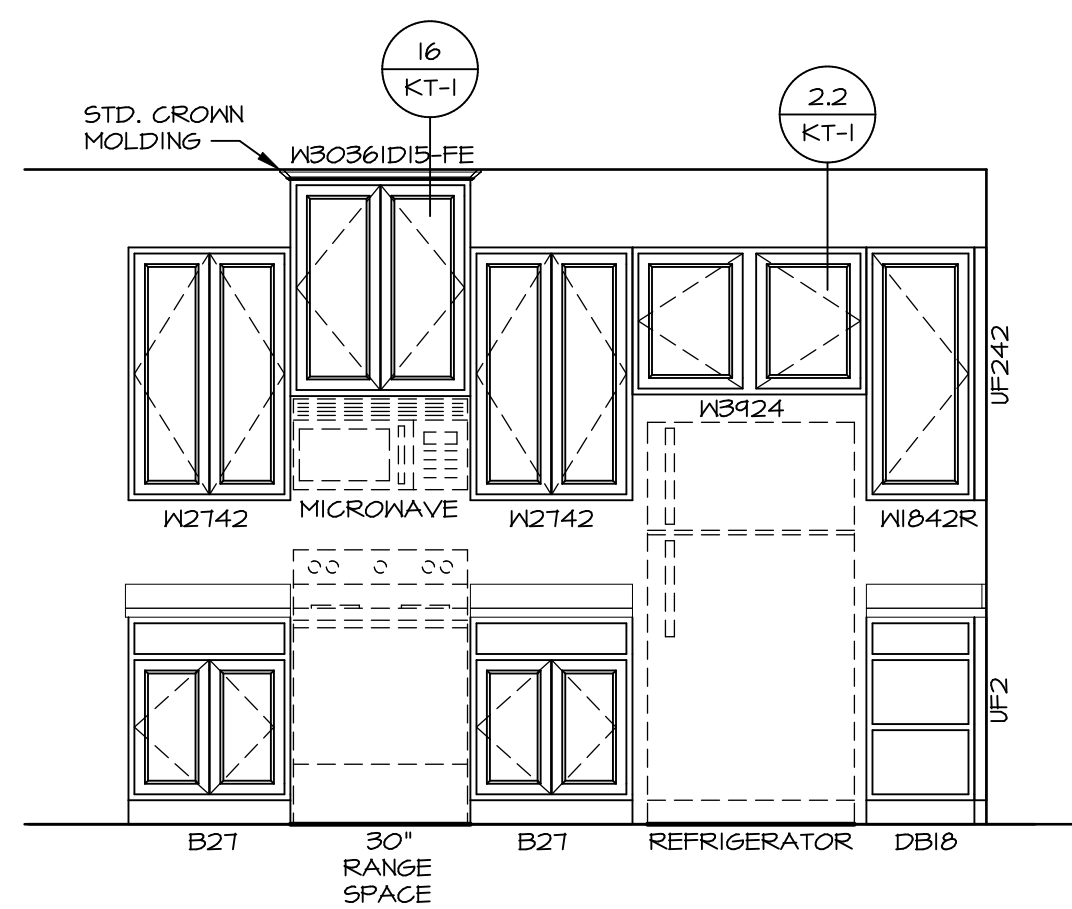
KITCHEN CABINET PLAN / KC-3431

SCALE: 3/8" = 1'-0"



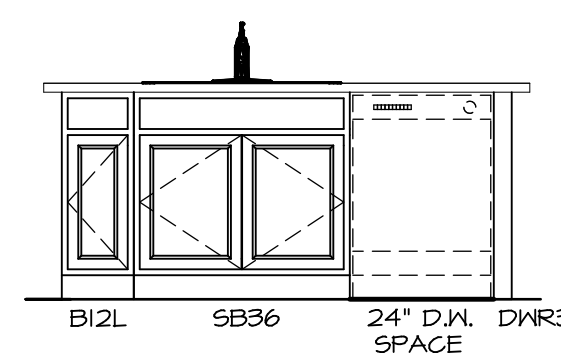
KITCHEN COUNTERTOP PLAN / KC-3431

SCALE: 3/8" = 1'-0"



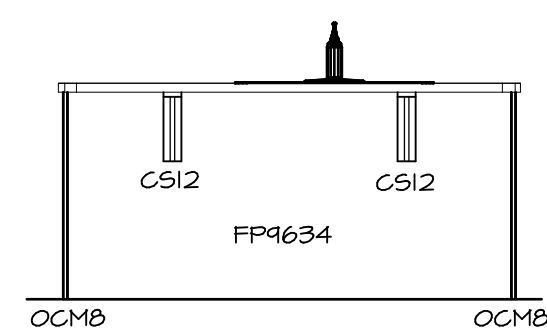
KITCHEN ELEVATION

SCALE: 3/8" = 1'-0"



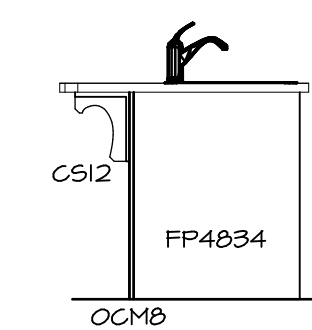
KITCHEN ELEVATION

SCALE: 3/8" = 1'-0"



KITCHEN ELEVATION

SCALE: 3/8" = 1'-0"



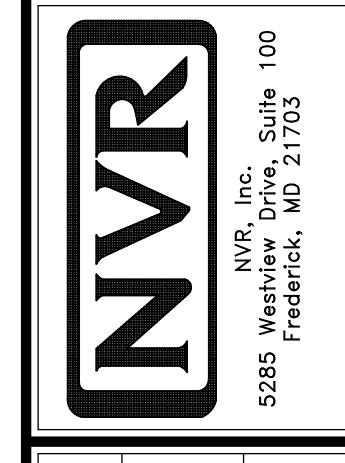
KITCHEN ELEVATION

SCALE: 3/8" = 1'-0"

KITCHEN ELEVATIONS

SCALE: 1/4" = 1'-0"

| | | |
|--------------------|-----------------------|----|
| SHEET NO. | A-11 | 38 |
| MODEL | AVIANO | |
| DRAWING TITLE | KITCHEN LAYOUT | |
| OPTION DESCRIPTION | | |
| SET NO. / AIAQO | VERSION 01 | |
| DRAWN BY | RJC | |
| DATE: | 4/11/15 | |
| OPTION | | |



© NVR, Inc. expressly reserves the right to modify or change these plans at any time without notice. These plans are not to be reproduced, changed or altered in any way without the express written consent of NVR, Inc.

| | |
|-------------------|---------------------|
| DIV-COMM-LOT-UNIT | DCY-WI-MIT1 |
| COMM-LOT | MILSON FARMS - MIT1 |
| STREET ADDRESS | 5656 GARRETT DRIVE |
| CITY | FRANKLIN |
| STATE | OH |
| ZIP | 45005 |
| APT. NO. | ---- |

NOTES:

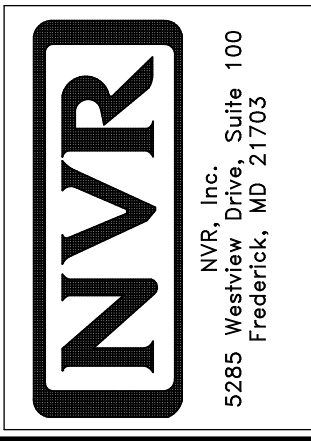
1. TEMPERED GLASS SHOWER ENCLOSURE WITH SWING DOOR OR OPTIONAL SLIDING DOOR BY DIVISION
2. TUB ACCESS PANELS PROVIDED AS NEEDED, ALL MATERIALS BY DIVISION
3. REFER TO SHEET IT-2 FOR TUB AND SHOWER DETAILS.
4. ALL V5DB24-42 DRAWERS TO BE SET ON RIGHT HAND.
5. BATH ELEVATIONS ARE SHOWN PER PLAN.

DIV-COMM-LOT-UNIT
DCY-WI-MITI

COMM-LOT
MILSON FARMS - MITI
STREET ADDRESS
5656 GARRETT DRIVE
CITY
FRANKLIN
STATE
OH
APT. NO.

ZIP
45005

© NVR, Inc. expressly reserves the right to modify or amend these plans at any time without notice. These plans are not to be reproduced, changed or altered in any way without the written consent of NVR, Inc.



SET NO. A/A00
VERSION 01
DRAWN BY SGA
DATE: 9/11/15
OPTION

MODEL
AVIANO
DRAWING TITLE
BATH ELEVATIONS
OPTION DESCRIPTION

SHEET NO.
A-12
42

