

BASEMENT FLOOR PLAN
SCALE: 1/4" = 1'-0"

LEGEND

	BEARING WALL
	NON BEARING WALL
	INDICATES BEARING FROM POINT-LOAD ABOVE
	JACKS
	BEAM/HEADER
	PAD FOOTING
	STEEL COLUMN
	PORTAL FRAME
	JOIST/TRUSS
	LVL
	ENGINEERING PAGE NUMBER

SEE FC DETAILS FOR FRAMING CONNECTORS

- FLOOR PLAN NOTES**
- ALL HEADERS ARE (2) 2x6 w/ 2x4 WALLS OR (3) 2x6 w/ 2x6 WALLS, UNLESS OTHERWISE NOTED.
 - ALL HEADERS TO HAVE (1) 2x4 OR 2x6 JACK EACH END, UNLESS OTHERWISE NOTED.
 - ALL EXTERIOR WALLS TO BE 4" AND ALL INTERIOR WALLS TO BE 3 1/2", UNLESS OTHERWISE NOTED.
 - HATCHED AREAS INDICATE DROPPED CEILING. ALL DROPPED CEILING ARE 12" UNLESS OTHERWISE NOTED.
 - SEE "BRACED WALL PANEL DETAIL SHEET" FOR SPECIAL WALL FRAMING LOCATIONS AND HEADER SIZES, IF APPLICABLE.
 - SEE STANDARD DETAIL CATEGORY "IT" SHEET(S) FOR INTERIOR TRIM DETAILS.
 - SEE ARCHITECTURAL DETAIL SHEET "AD" FOR HOUSE SPECIFIC INTERIOR TRIM OPTION TABLE.
 - ALL WINDOWS HAVE T-O 1/2" HEADER HEIGHT UNLESS OTHERWISE NOTED.

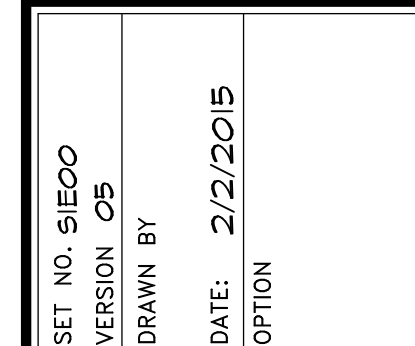
GYPSUM NOTES

AT GARAGE:
GYPSUM BOARD AT COMMON WALLS, CEILING, BEAM WRAPS AND SUPPORTS PER STANDARD DETAIL FA-1(b) FIRE ASSEMBLIES OR AS REQUIRED BY LOCAL CODE.

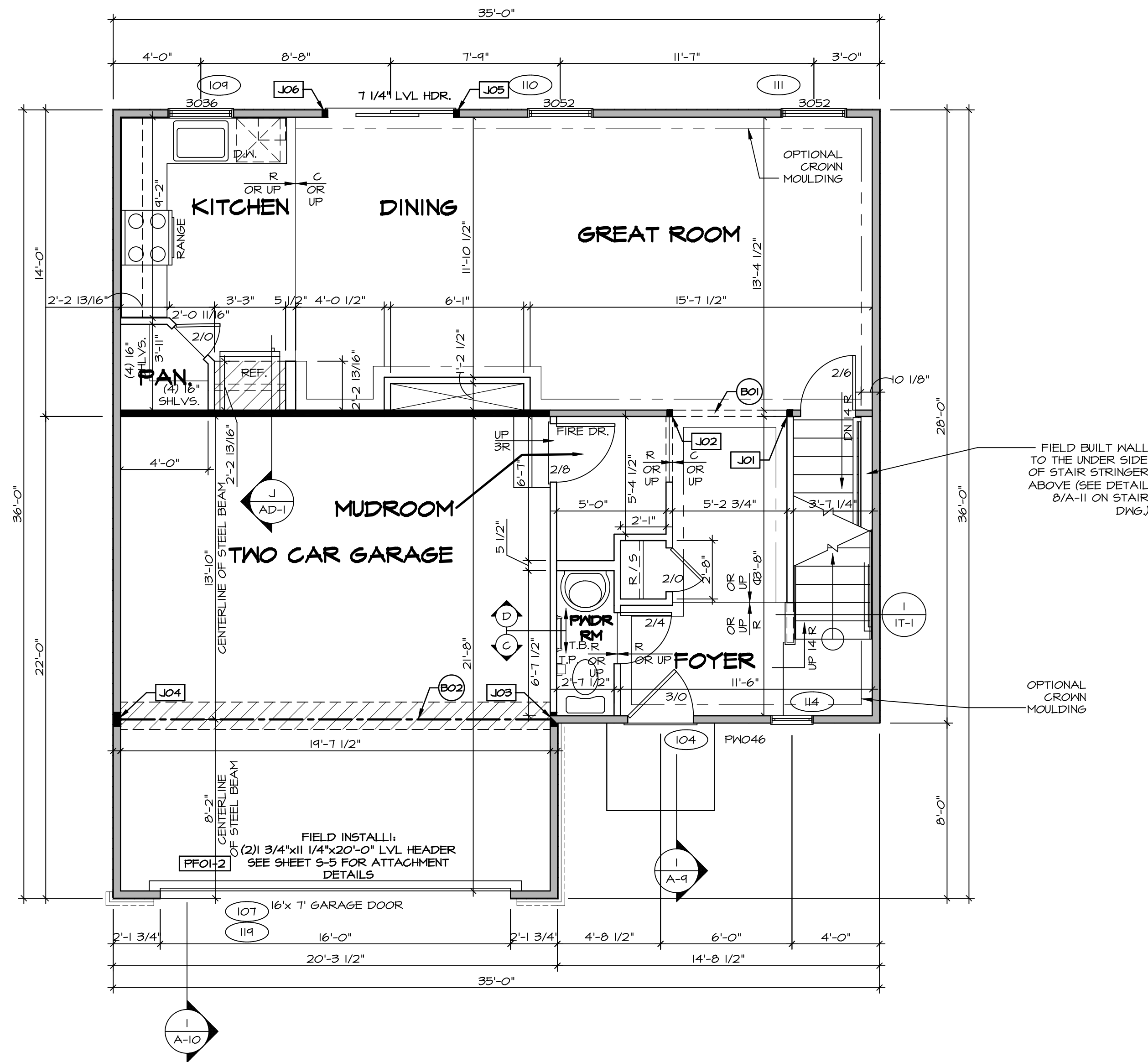
AT STAIRS:
1/2" GYPSUM BOARD AT UNDERSIDE OF STAIRS AND WALLS IN CLOSET

REV. NO.	DATE	REMARKS
1	08/05/16	NL - DRAWING ALIGNMENT

© NVR, Inc. expressly reserves the right to modify or change these plans at any time without notice. These plans are not to be reproduced, changed or altered in any way without the written consent of NVR, Inc.



MODEL	SIENNA
DRAWING TITLE	BASEMENT FLOOR PLAN
OPTION DESCRIPTION	
SHEET NO.	A-6
SET NO.	SIECO
VERSION	05
DRAWN BY	
DATE	2/2/2015
OPTION	



FIRST FLOOR PLAN
SCALE: 1/4" = 1'-0"

LEGEND	
	BEARING WALL
	NON BEARING WALL
	INDICATES BEARING FROM POINT-LOAD ABOVE
	JACKS
	BEAM/HEADER
	PAD FOOTING
	STEEL COLUMN
	PORTAL FRAME
	JOIST/TRUSS
	LVL
	ENGINEERING PAGE NUMBER

SEE FC DETAILS FOR FRAMING CONNECTORS

FLOOR PLAN NOTES

- ALL HEADERS ARE (2) 2x6 w/ 2x4 WALLS OR (3) 2x6 w/ 2x6 WALLS, UNLESS OTHERWISE NOTED.
- ALL HEADERS TO HAVE (1) 2x4 OR 2x6 JACK AND KING STUD EACH END, UNLESS OTHERWISE NOTED.
- ALL EXTERIOR WALLS TO BE 4" w/ OSB OR 3 1/2" w/ T-PLY. ALL INTERIOR WALLS TO BE 3 1/2", UNLESS OTHERWISE NOTED.
- HATCHED AREAS INDICATE DROPPED CEILINGS. ALL DROPPED CEILINGS ARE 12' UNLESS OTHERWISE NOTED.
- SEE 'BRACED WALL PANEL DETAIL SHEET' FOR SPECIAL WALL FRAMING LOCATIONS AND HEADER SIZES, IF APPLICABLE.
- SEE STANDARD DETAIL CATEGORY 'IT' SHEET(S) FOR INTERIOR TRIM DETAILS.
- SEE ARCHITECTURAL DETAIL SHEET 'AD' FOR HOUSE SPECIFIC INTERIOR TRIM OPTION TABLE.
- ALL WINDOWS HAVE 1"-0 1/2" HEADER HEIGHT UNLESS OTHERWISE NOTED.
- ALL HEADERS IN NON-BEARING WALLS SHALL BE A SINGLE FLAT 2x4 OR 2x6 ATTACHED TO CRIPPLES ABOVE, UNLESS OTHERWISE NOTED.

GYPSUM NOTES

AT GARAGE:
GYPSUM BOARD AT COMMON WALLS, CEILINGS, BEAM WRAPS AND SUPPORTS PER STANDARD DETAIL FA-(b) FIRE ASSEMBLIES OR AS REQUIRED BY LOCAL CODE.

AT STAIRS:
1/2" GYPSUM BOARD AT UNDERSIDE OF STAIRS AND WALLS IN CLOSET

FIRST FLOOR JACK SCHEDULE				
IDENTIFIER	DESCRIPTION	OPTIONS	ENS. NUM.	FIELD INSTALLED
JO1	JACK - (2) 2X4 SFF STUD GRADE		103	
JO2	JACK - (2) 2X4 SFF STUD GRADE		103	
JO3	JACK - (5) 2X4 SFF#1	GCB / GCC	105	
JO4	JACK - (5) 2X4 SFF#1	GCB / GCC	105	
JO5	JACK - (2) 2X4 SFF STUD GRADE	DGT	104	
JO6	JACK - (2) 2X4 SFF STUD GRADE	DGT	104	

LVL PLY TO PLY FASTENING SCHEDULE:

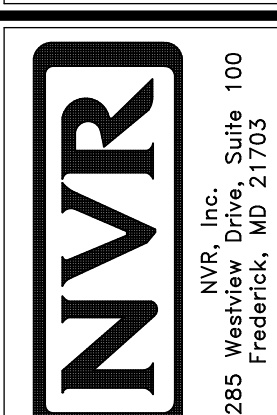
- (2) PLY UP TO AND INCLUDING 11 7/8" TALL; FASTEN PLYS W/ (2) ROWS 16D NAILS AT 12" O.C.
- (2) PLY 14" TO AND INCLUDING 18" TALL (INCLUSIVE); FASTEN PLYS W/ (3) ROWS 16D NAILS AT 12" O.C.
- (2) PLY 20" TALL AND OVER; FASTEN PLYS W/ (4) ROWS 16D NAILS AT 12" O.C.
- (3) PLY UP TO AND INCLUDING 11 7/8" TALL; FASTEN PLYS W/ (2) ROWS 16D NAILS AT 12" O.C. FROM EACH SIDE
- (3) PLY 14" TO AND INCLUDING 18" TALL (INCLUSIVE); FASTEN PLYS W/ (3) ROWS 16D NAILS AT 12" O.C. FROM EACH SIDE
- (3) PLY 20" TALL AND OVER; FASTEN PLYS W/ (4) ROWS 16D NAILS AT 12" O.C. FROM EACH SIDE

FIELD INSTALLED FIRST FLOOR BEAM/HEADER SCHEDULE

IDENTIFIER	DESCRIPTION	LENGTH	OPTIONS	ENS. NUM.	REMARKS
B01	INT HEADER - 2X8 - 2 PLY	5'-8 3/4"		103	
B02	BEAM STEEL - W12X26	20'-2"	SRI / SXS / FBA / FCA	105	
FF01-2	LVL - 11-04	20'-0"	GCB	119	PORTAL FRAME, 2 PLY, 1A

REV. NO.	DATE	REMARKS
1	08/05/16	N.L. - DRAWING ALIGNMENT
2	7/7/17	DRH - T-PLY CONVERSION

© NVR, Inc. All rights reserved. No part of this drawing may be reproduced, stored in a retrieval system, or transmitted in any form or by any means, electronic, mechanical, photocopying, recording, or by any information storage and retrieval system, without the prior written permission of NVR, Inc.



SET NO. SIECO
VERSION 05
DRAWN BY
DATE: 2/2/2015
OPTION

MODEL: SIENNA
DRAWING TITLE: FIRST FLOOR PLAN
OPTION DESCRIPTION

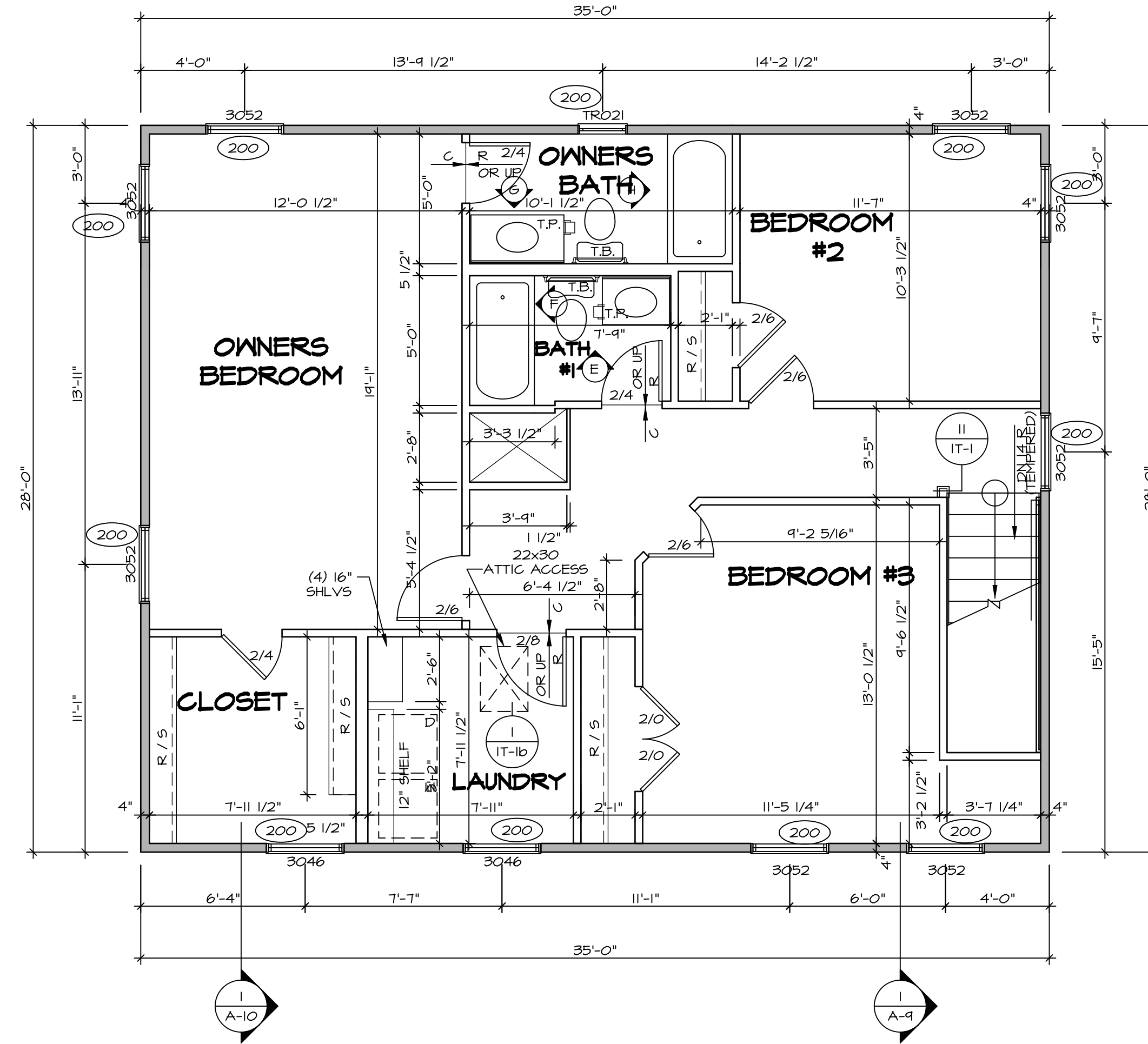
SHEET NO. A-7
24

LEGEND	
	BEARING WALL
	NON BEARING WALL
	INDICATES BEARING FROM POINT-LOAD ABOVE
	JACKS
	BEAM/HEADER
	PAD FOOTING
	STEEL COLUMN
	PORTAL FRAME
	JOIST/TRUSS
	LVL
	ENGINEERING PAGE NUMBER

SEE FC DETAILS FOR FRAMING CONNECTORS

FLOOR PLAN NOTES

- ALL HEADERS ARE (2) 2x6 w/ 2x4 WALLS OR (3) 2x6 w/ 2x6 WALLS, UNLESS OTHERWISE NOTED.
- ALL HEADERS TO HAVE (1) 2x4 OR 2x6 JACK AND KING STUD EACH END, UNLESS OTHERWISE NOTED.
- ALL EXTERIOR WALLS TO BE 4" w/ OSB OR 3 1/2" w/ T-PLY, ALL INTERIOR WALLS TO BE 3 1/2", UNLESS OTHERWISE NOTED.
- HATCHED AREAS INDICATE DROPPED CEILING. ALL DROPPED CEILING ARE 12" UNLESS OTHERWISE NOTED.
- SEE "BRACED WALL PANEL DETAIL SHEET" FOR SPECIAL WALL FRAMING LOCATIONS AND HEADER SIZES, IF APPLICABLE.
- SEE STANDARD DETAIL CATEGORY "IT" SHEET(S) FOR INTERIOR TRIM DETAILS.
- SEE ARCHITECTURAL DETAIL SHEET "AD" FOR HOUSE SPECIFIC INTERIOR TRIM OPTION TABLE.
- ALL WINDOWS HAVE 7'-0 1/2" HEADER HEIGHT UNLESS OTHERWISE NOTED.
- ALL HEADERS IN NON-BEARING WALLS SHALL BE A SINGLE FLAT 2X4 OR 2X6 ATTACHED TO CRIPPLES ABOVE, UNLESS OTHERWISE NOTED.

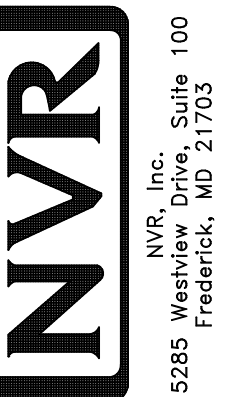


SECOND FLOOR PLAN
SCALE: 1/4" = 1'-0"

REMARKS

REV. NO.	DATE	DESCRIPTION
1	08/05/16	N.L. - DRAWING ALIGNMENT
2	7/7/17	DRH - T-PLY CONVERSION

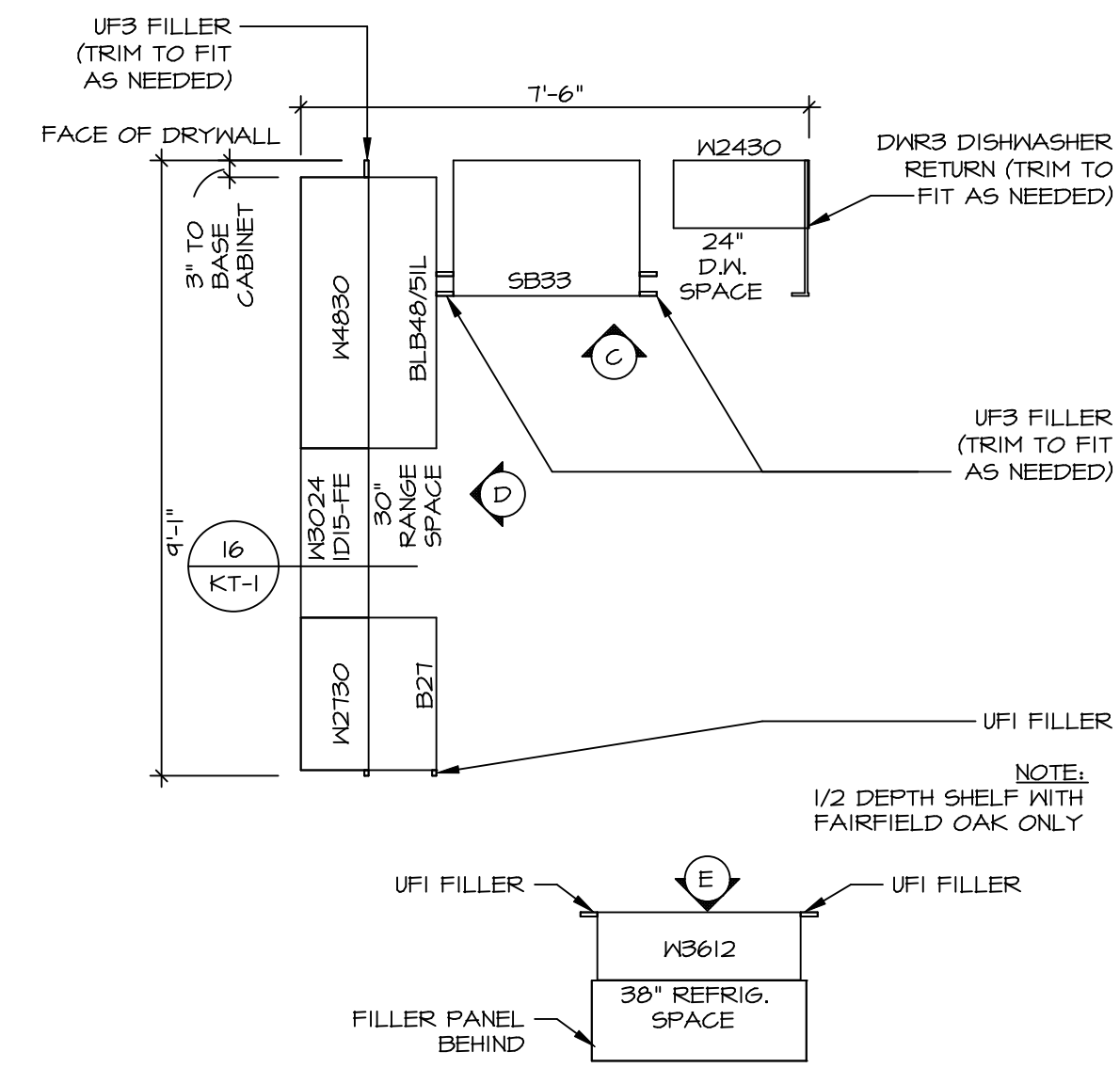
© NVR, Inc. expressly reserves the right to modify or amend these plans at any time without notice. These plans are not to be reproduced, changed or altered in any way without the written consent of NVR, Inc.



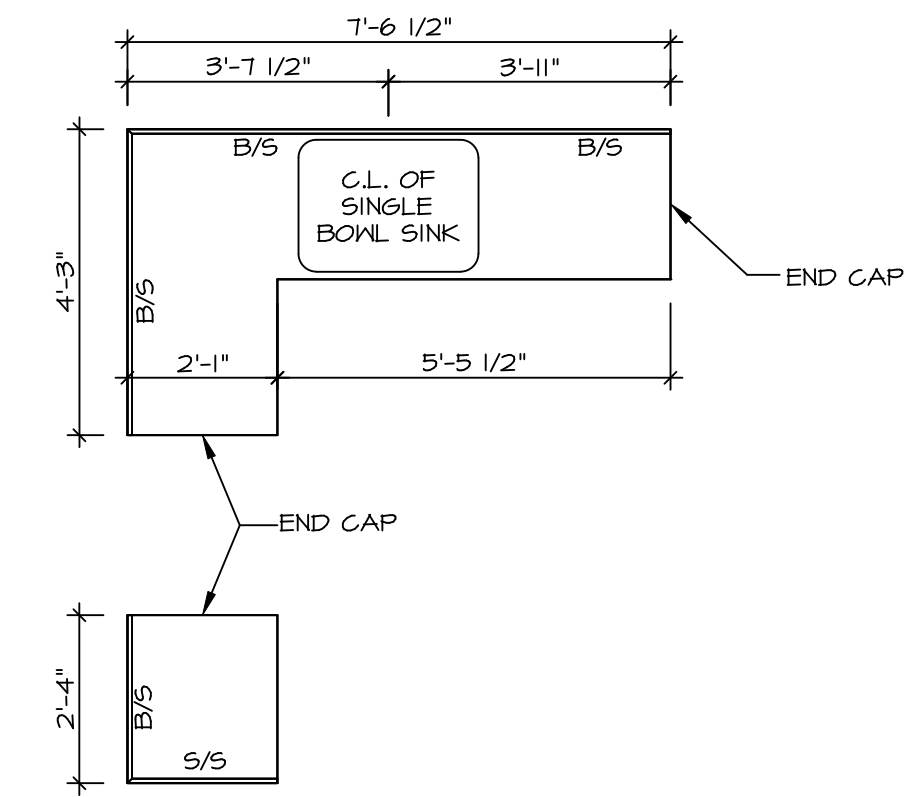
SET NO. SIECO
VERSION 05
DRAWN BY
DATE: 2/2/2015
OPTION

MODEL: SIENNA
DRAWING TITLE: SECOND FLOOR PLAN
OPTION DESCRIPTION

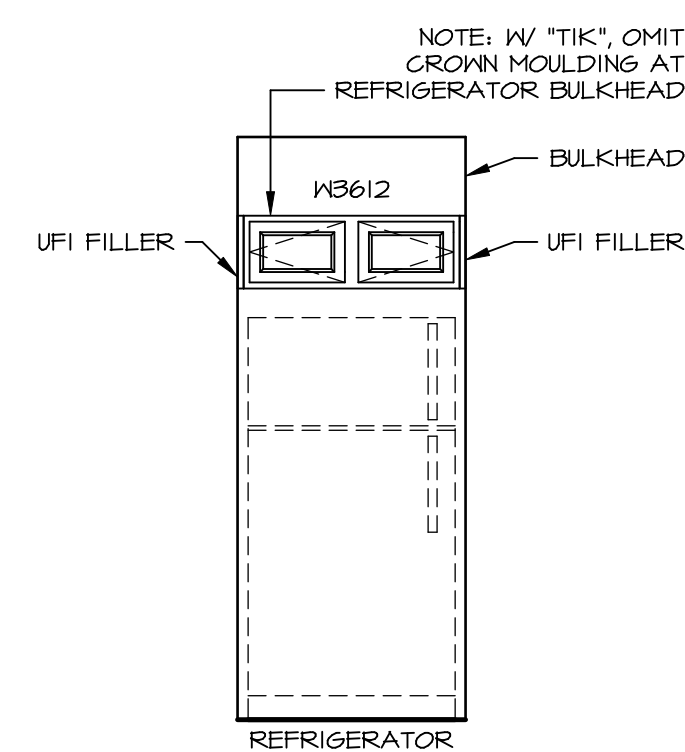
SHEET NO. A-8
26



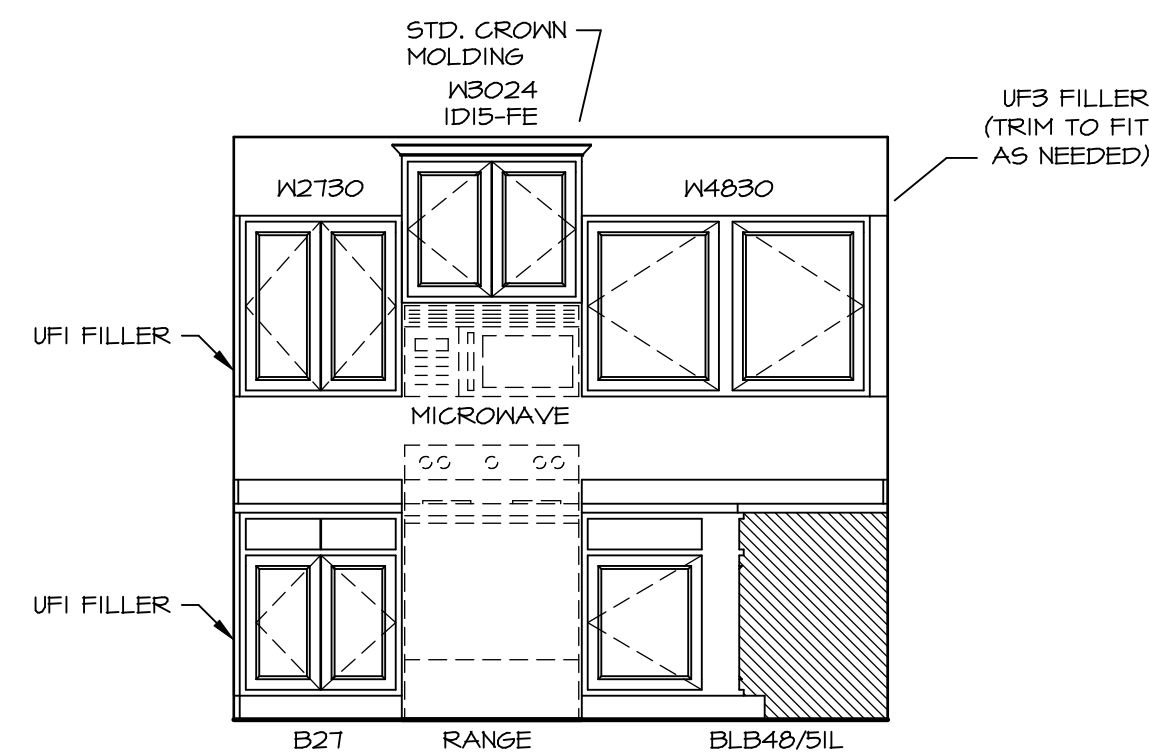
CABINET PLAN - KC-1924
 STANDARD KITCHEN w/
 30" WALL CABINETS
 SCALE: 3/8" = 1'-0"
 1
 A-12



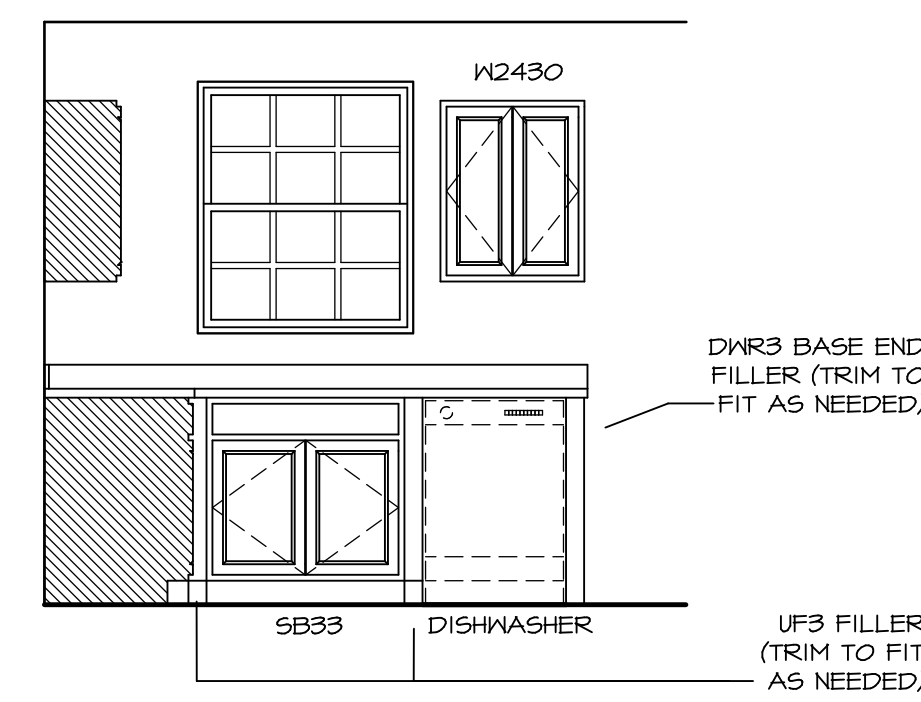
COUNTERTOP PLAN - KT-1924
 STANDARD KITCHEN w/
 30" WALL CABINETS
 SCALE: 3/8" = 1'-0"
 3
 A-12



KITCHEN ELEVATION E
 SCALE: 3/8" = 1'-0"



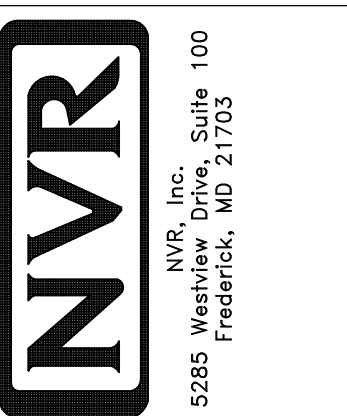
KITCHEN ELEVATION D
 SCALE: 3/8" = 1'-0"

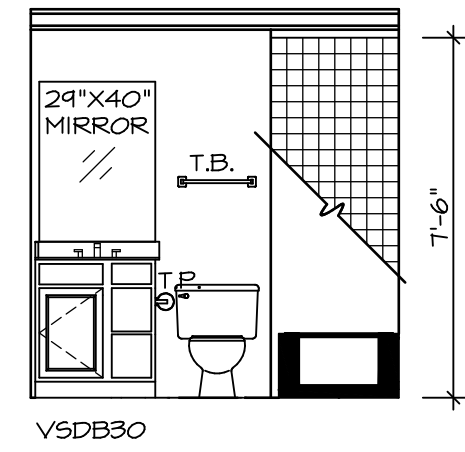


KITCHEN ELEVATION C
 SCALE: 3/8" = 1'-0"

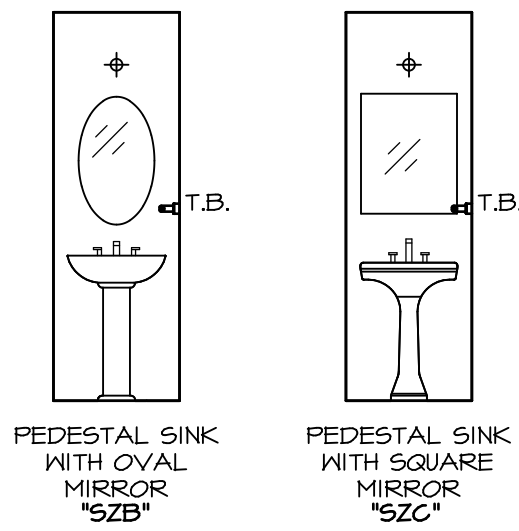
SHEET NO.	MODEL	SET NO.	VERSION	DATE	OPTION	REMARKS
A-12	SIENNA KITCHENS	05	05	2/2/2015		
32						

© NVR, Inc. expressly reserves the right to modify or change these plans without notice. These plans are not to be reproduced, changed or altered in any way without the written consent of NVR, Inc.

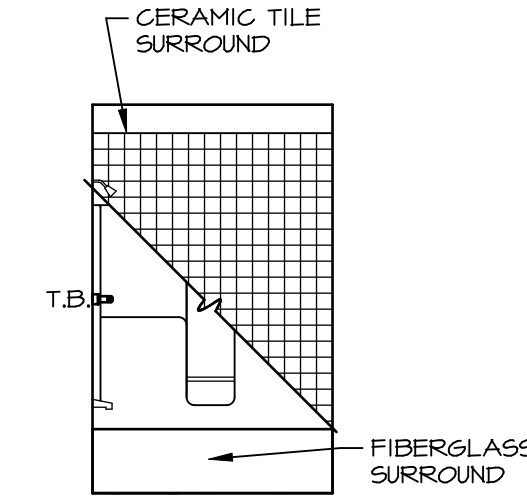




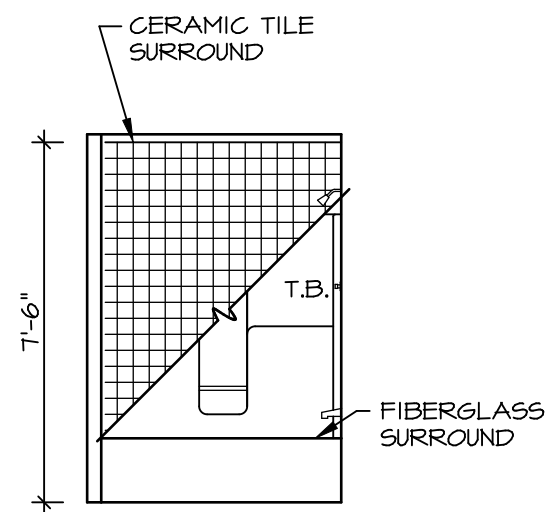
B BASEMENT POWDR. RM. W/ TUB
SCALE: 1/4" = 1'-0"



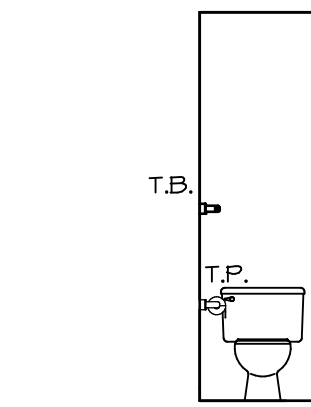
D POWDER ROOM
SCALE: 1/4" = 1'-0"



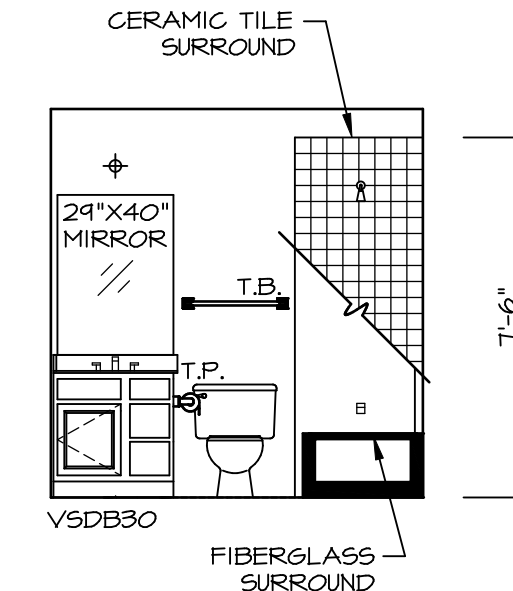
F BATH #1
SCALE: 1/4" = 1'-0"



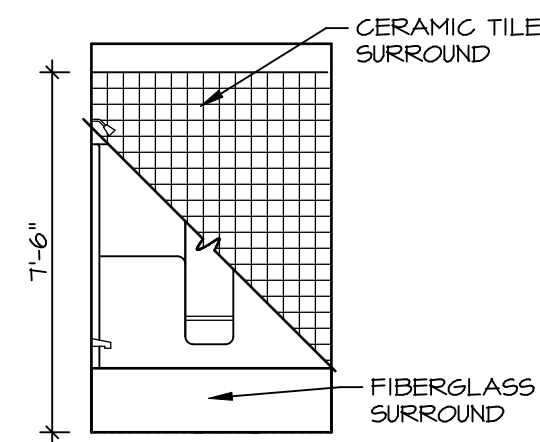
A BASEMENT POWDR. RM. W/ TUB
SCALE: 1/4" = 1'-0"



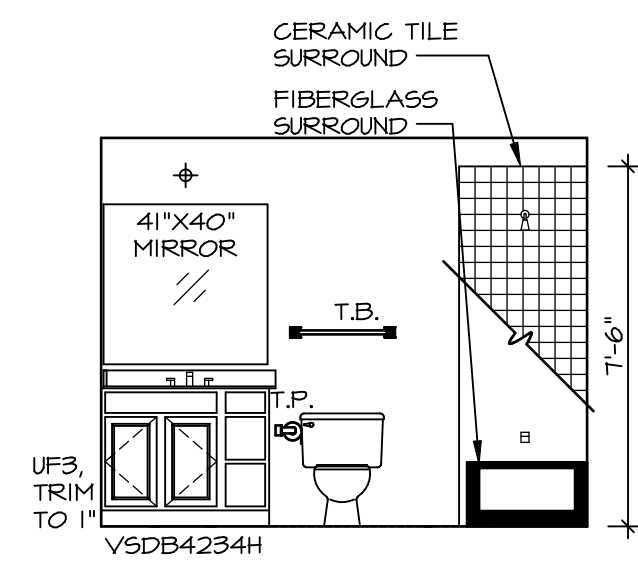
C POWDER ROOM
SCALE: 1/4" = 1'-0"



E BATH #1
SCALE: 1/4" = 1'-0"



H OWNER'S BATH (AMB)
SCALE: 1/4" = 1'-0"



G OWNER'S BATH (AMB)
SCALE: 1/4" = 1'-0"

NOTES:

1. TEMPERED GLASS SHOWER ENCLOSURE WITH SWING DOOR OR OPTIONAL SLIDING DOOR BY DIVISION
2. TUB ACCESS PANELS PROVIDED AS NEEDED, ALL MATERIALS BY DIVISION
3. REFER TO SHEET D-II FOR TUB AND SHOWER DETAILS.
4. ALL V5DB24-42 DRAWERS TO BE SET ON RIGHT HAND.
5. BATH ELEVATIONS ARE SHOWN PER PLAN.

REV. NO.	DATE	REMARKS
1	08/05/16	N.L. - DRAWING ALIGNMENT

© NVR, Inc. expressly reserves the right to modify or change these plans at any time without notice. These plans are not to be reproduced, changed or altered in any way without the written consent of NVR, Inc.



SHEET NO.	MODEL	SET NO.	VERSION	DRAWN BY	DATE	OPTION
A-13	SIENNA BATH ELEVATIONS	05	05	CSB	4/2/15	
33						