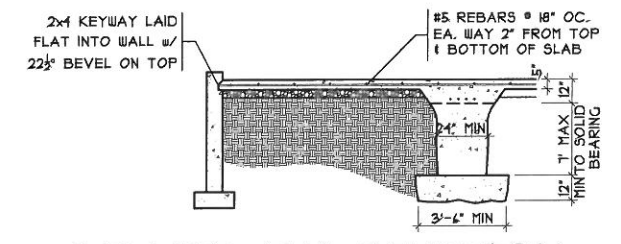
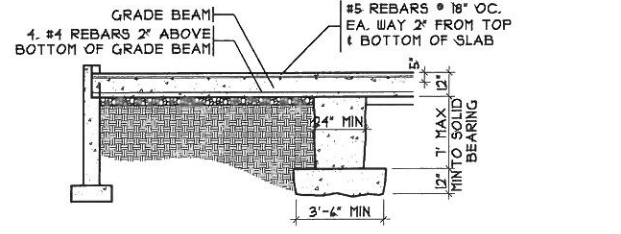


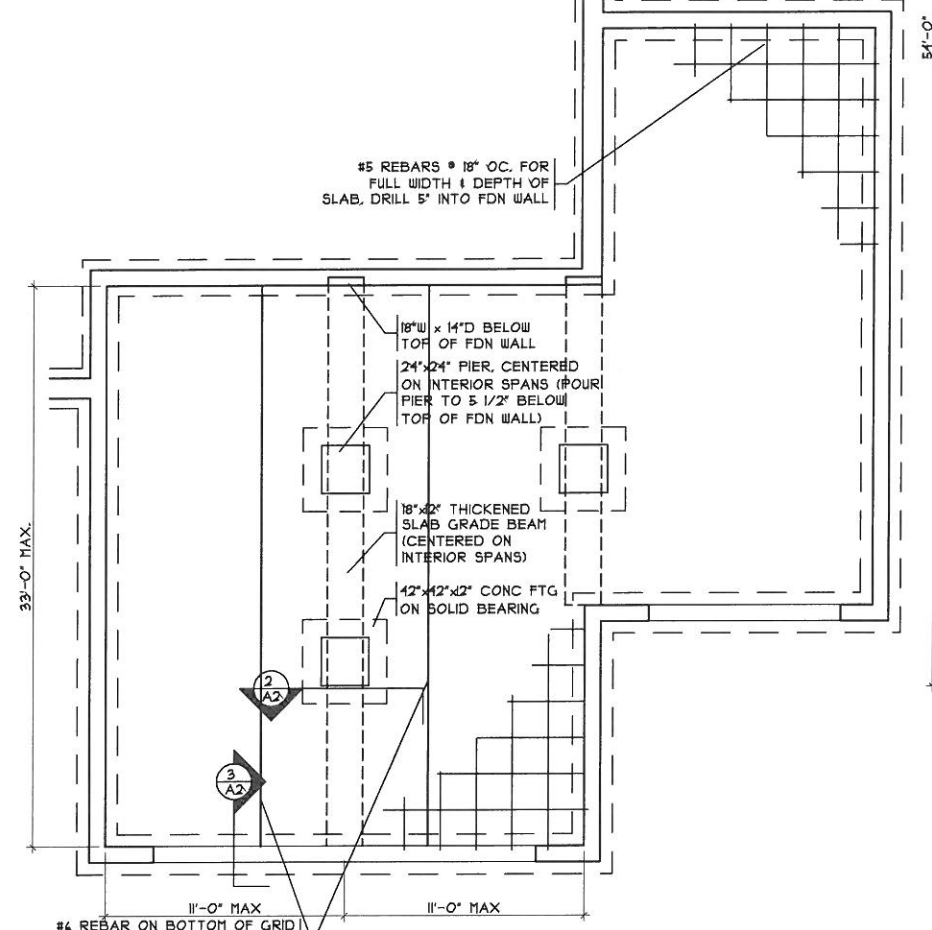
1 THICKENED SLAB DETAIL
SCALE: 1/4" = 1'-0"



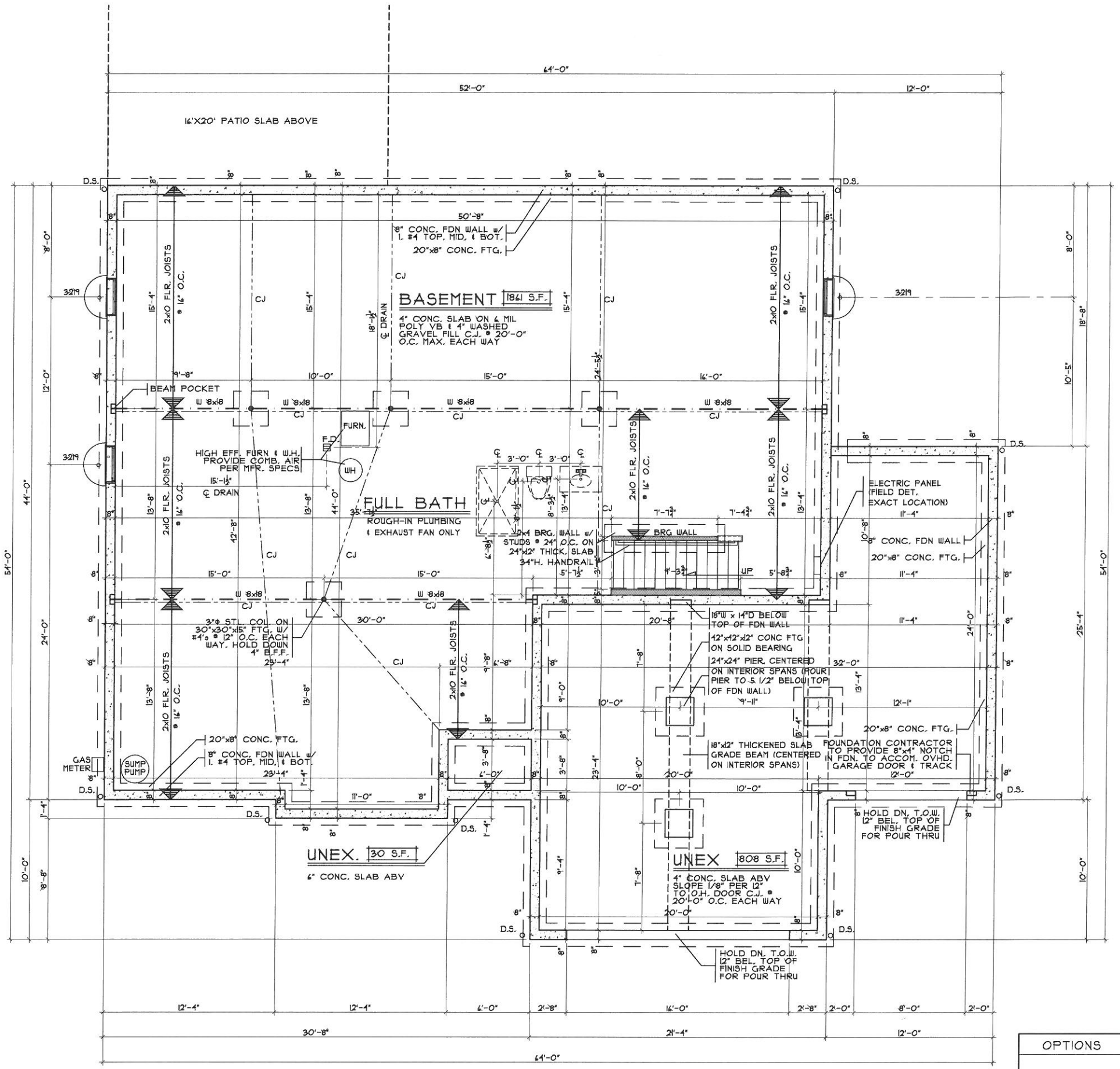
2 GRADE BM SECTION
SCALE: 1/8" = 1'-0"



3 GRADE BM SECTION
SCALE: 1/8" = 1'-0"



GRADE BM DETAIL
SCALE: 1/8" = 1'-0"



FOUNDATION PLAN
SCALE: 1/8" = 1'-0"

OPTIONS

Foundation Plan
Plan : Harcroft
Date : 11.14.2014
Drawn: RHK
Scale : As Noted
Revised: Sheet : 3 of 13

Cristo Homes
7594-A Tyiers Place Blvd.
West Chester, OH 45069
513.935.0570 www.cristohomes.com

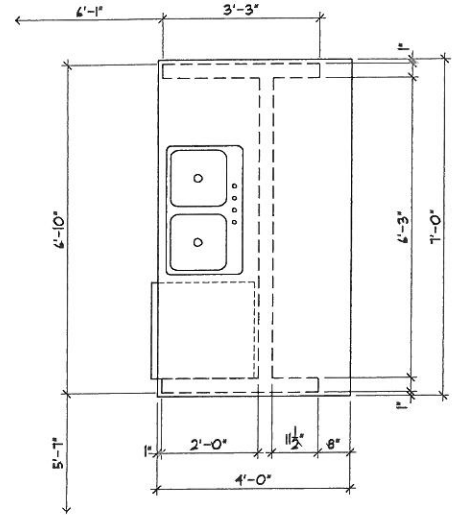
Proposed Residence:
Finley Residence
6132 Royal Garden Ct.
Lot #95 Windsor Estates

Liberty Twp.
Butler County

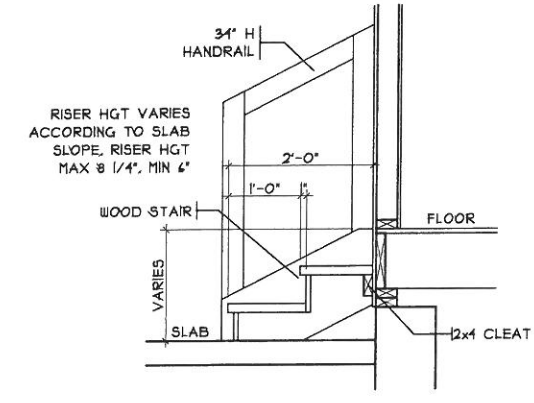
WIN2-0095
Harcroft
Cristo Homes reserves all property rights in these plans. These plans are not to be reproduced, changed, or copied in any manner. They are not to be given to a third party, either in full or in part, without first receiving written permission from Cristo Homes. In the event these plans are used by a third party, Cristo Homes shall be held harmless.

Issue Dates
Review 11.20.2014
Permit 11.26.2014

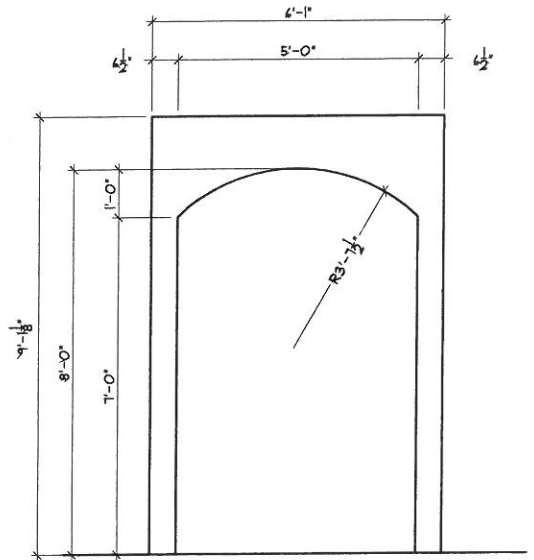
A3



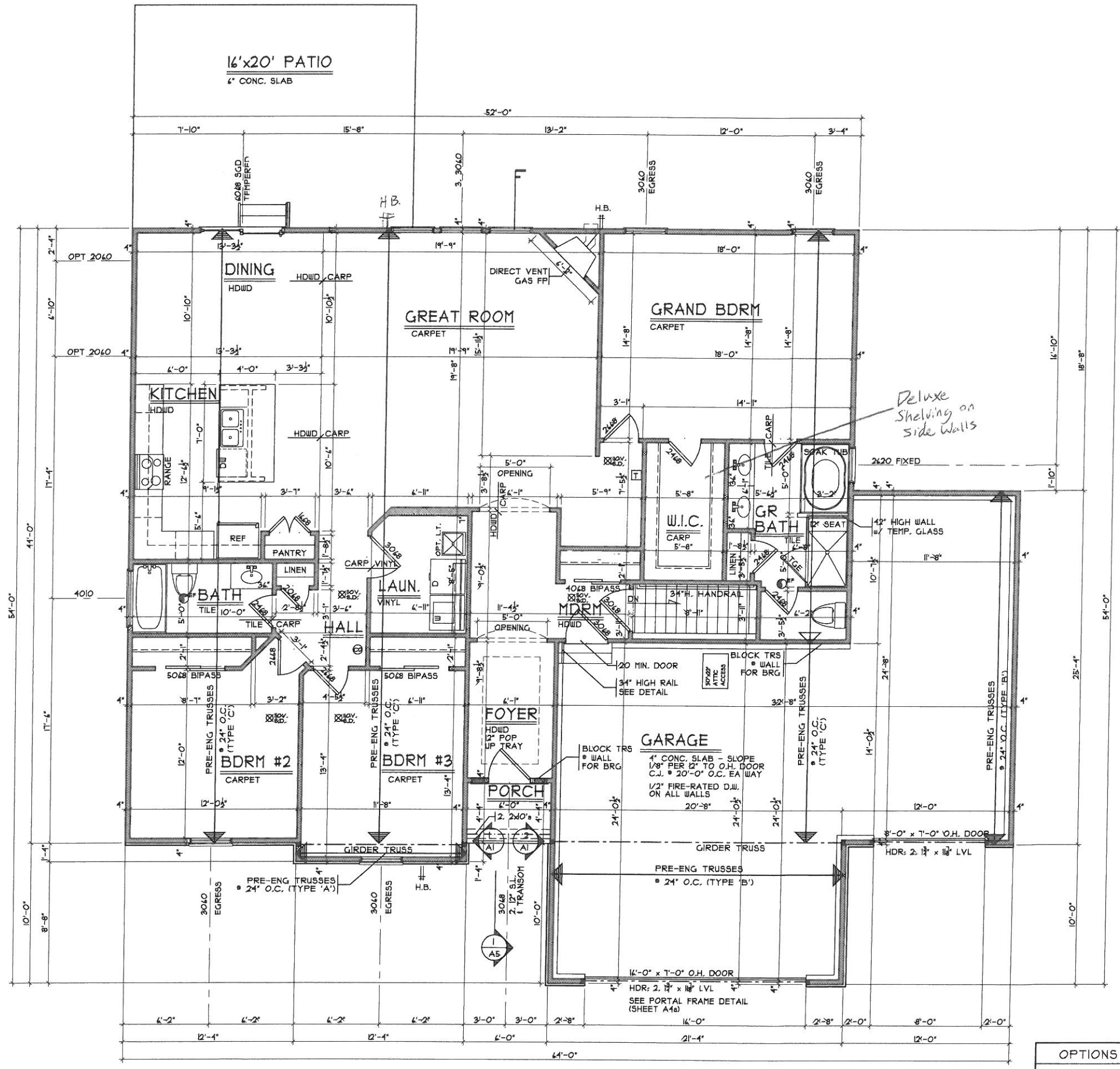
ISLAND FRM'G LAYOUT
 SCALE: 1/4" = 1'-0"



GARAGE HANDRAIL DETAIL
 SCALE: 1/8" = 1'-0"



FOYER ARCH DETAIL
 SCALE: 1/8" = 1'-0"



FIRST FLOOR PLAN
 SCALE: 1/8" = 1'-0" 1908 S.F.

OPTIONS

First Floor Plan - Craftsman
 Plan : Harcroft
 Date : 11.14.2014
 Drawn: RHK
 Scale : As Noted
 Revised:
 Sheet : 5 of 13

Proposed Residence:
 Finley Residence
 6132 Royal Garden Ct.
 Lot #95 Windsor Estates

WIN2-0095

CristoHomes
 7594A Tyler Place Blvd.
 West Chester, OH 45389
 513.755.0570 www.cristohomes.com

Issue Dates
 Review: 11.20.2014
 Permit: 11.26.2014

Harcroft
 Cristo Homes reserves all property rights in these plans. These plans are not to be reproduced, changed, or copied in any manner. They are not to be given to a third party, either in full or in part, without first receiving written permission from Cristo Homes. In the event these plans are used by a third party, Cristo Homes shall be held harmless.

Liberty Twp.
 Butler County

A4