

WV 70

1409 Edinburg Court

FRANKLIN, OH 45005

2 Story basement - 1/2 bath rough basement

2 hose bibs - valves required

AA Kit Sink

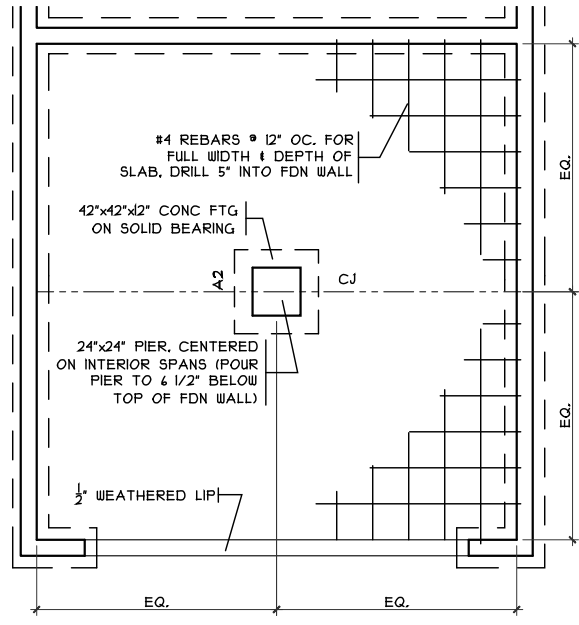
2 tub

Well Tank - No expansion tank , no pressure valve , no dual check valve !!

ice maker

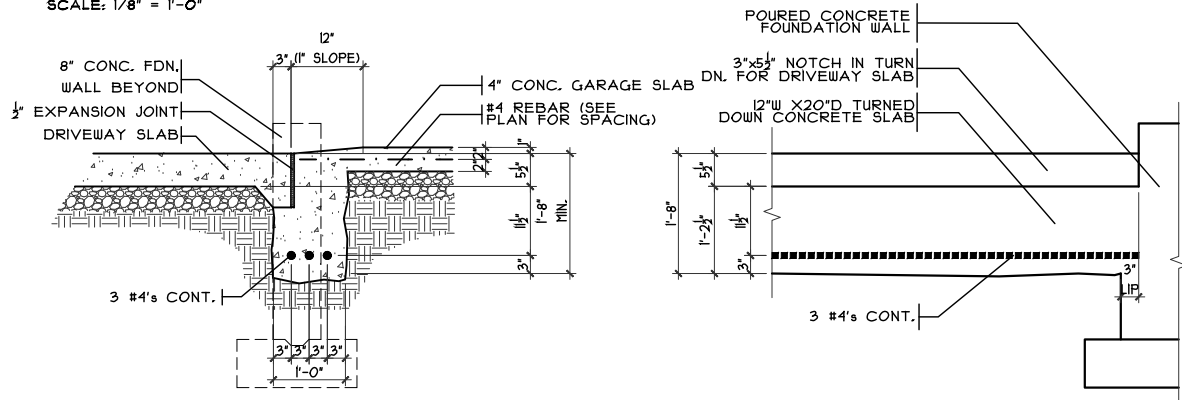
softener bypass

Gas Furnace



**GRADE BM DETAIL**

SCALE: 1/8" = 1'-0"

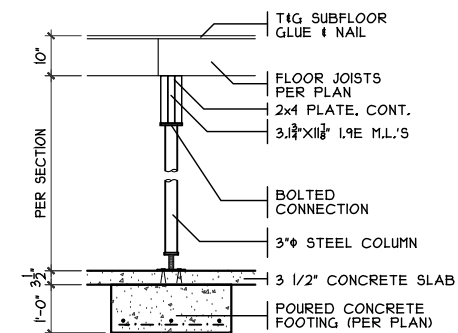
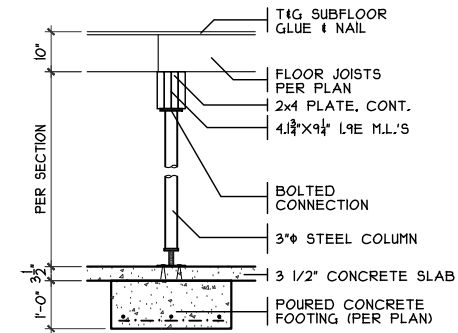


**SECTION**

**GARAGE DOOR GRADE BM**

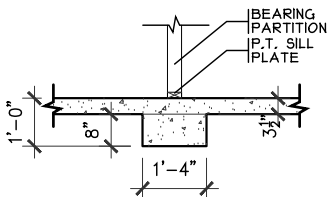
SCALE: 3/8" = 1'-0"

**ELEVATION**



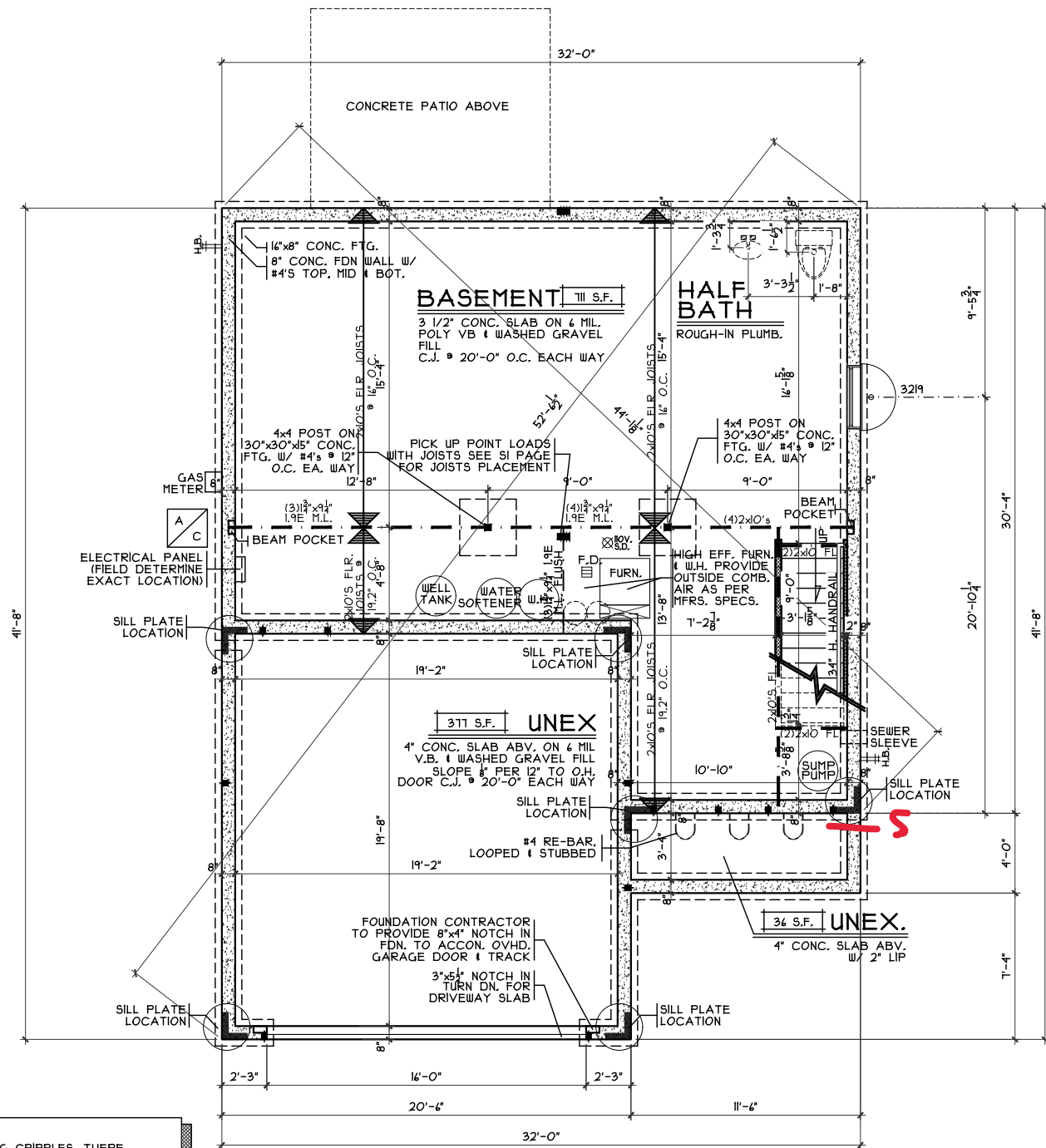
**COLUMN DETAILS**

SCALE: 1/4" = 1'-0"



**BEARING WALL FOOTER**

SCALE: 1/4" = 1'-0"



**NOTE:**  
 ■ DENOTES BEARING CRIPPLES, THERE SHOULD BE ONE CRIPPLE FOR EACH BEARING MEMBER, CONTINUOUS TO SOLID BEARING BELOW.

**FOUNDATION PLAN**

SCALE: 1/8" = 1'-0"

Foundation Plan

Plan: Luxor Basement  
 Date: 3.12.2024  
 Drawn: JRK  
 Scale: As Noted  
 Revised: 4.17.2024  
 Sheet: 3 of 9



Renaissance - WV-70

Proposed Residence:

Waddell Residence  
 1409 Edinburg Court  
 Waterbury Village Lot 70

Carlisle  
 Montgomery County

Luxor Basement - C1 - Vinyl

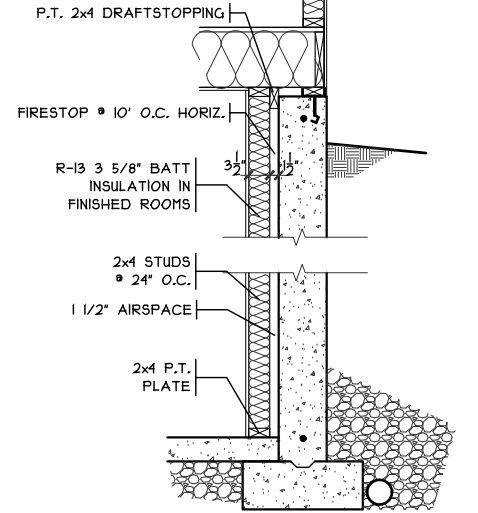
Cristo Homes reserves all property rights in these plans. These plans are not to be reproduced, changed, or copied in any manner. They are not to be given to a third party, either in full or in part, without first receiving written permission from Cristo Homes. In the event these plans are used by a third party, Cristo Homes shall be held harmless.

Review	Issue Dates

A2

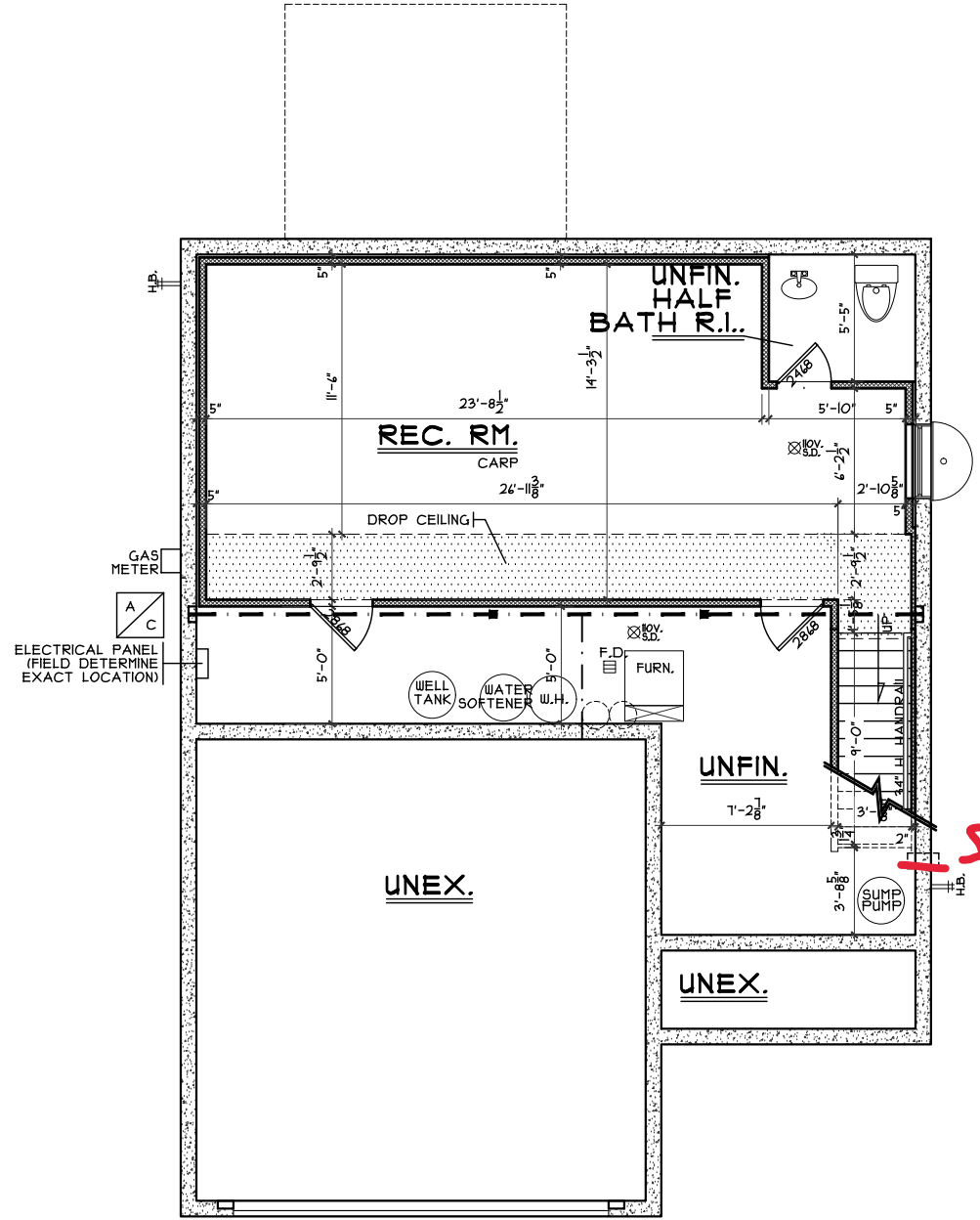
### DROP CLG. DETAIL

SCALE: 1/8" = 1'-0"



### FIN. LL WALL DETAIL

SCALE: 3/8" = 1'-0"



### FINISHED LOWER LEVEL

SCALE: 1/8" = 1'-0" 441 SQ. FT.

Finished Lower Level

Plan: Luxor Basement  
Date: 3.12.2024  
Drawn: JRK  
Scale: As Noted  
Revised: 4.17.2024  
Sheet: 4 of 9



7894 A Tyers Place Blvd.  
West Chester, OH 45669  
513.755.0570 • www.cristohomes.com

Renaissance - WV-70

Proposed Residence:

Waddell Residence  
1409 Edinburg Court  
Waterbury Village Lot 70

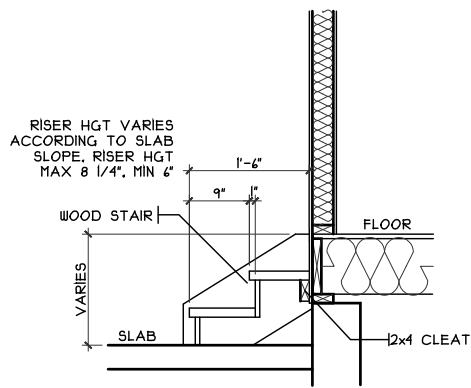
Luxor Basement - C1 - Vinyl

Review

Carlisle  
Montgomery County

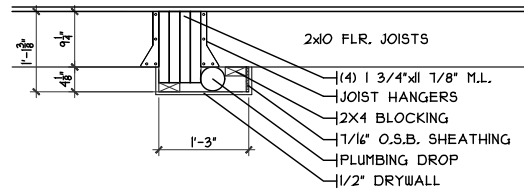
Issue Dates

Cristo Homes reserves all property rights in these plans. These plans are not to be reproduced, changed, or copied in any manner. They are not to be given to a third party, either in full or in part, without first receiving written permission from Cristo Homes. In the event these plans are used by a third party, Cristo Homes shall be held harmless.



### GARAGE STEPS

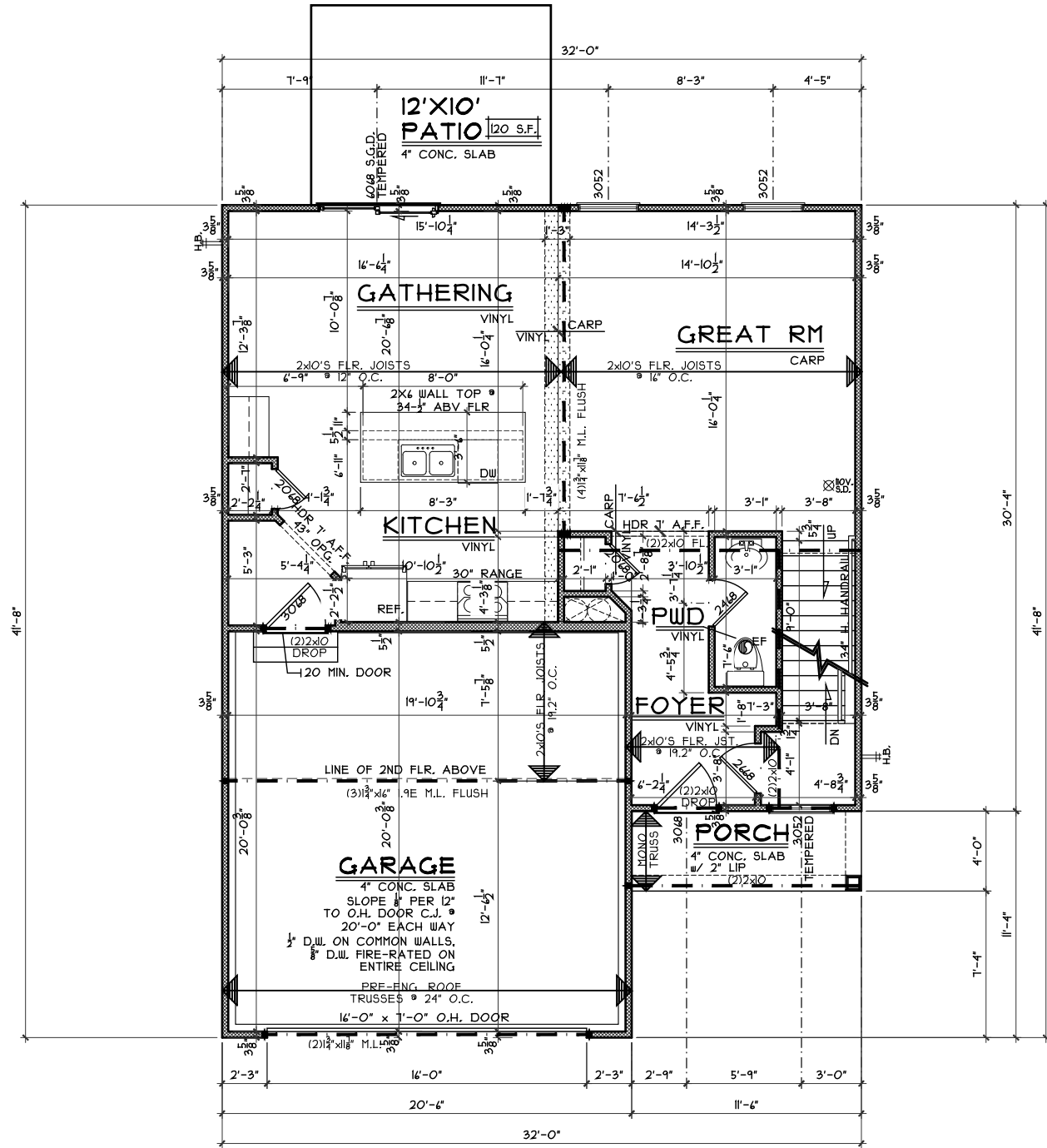
SCALE: 1/8" = 1'-0"



### DROP CLG. DETAIL

SCALE: 3/8" = 1'-0"

NOTE: ■ DENOTES BEARING CRIPPLES. THERE SHOULD BE ONE CRIPPLE FOR EACH BEARING MEMBER. CONTINUOUS TO SOLID BEARING BELOW.



### FIRST FLOOR PLAN

SCALE: 1/8" = 1'-0" 189 SQ. FT.

First Floor Plan

Plan: Luxor Basement  
 Date: 3.12.2024  
 Drawn: JRK  
 Scale: As Noted  
 Revised: 4.17.2024  
 Sheet: 5 of 9



Renaissance - WV-70

Proposed Residence:

Waddell Residence  
 1409 Edinburg Court  
 Waterbury Village Lot 70

Luxor Basement - C1 - Vinyl

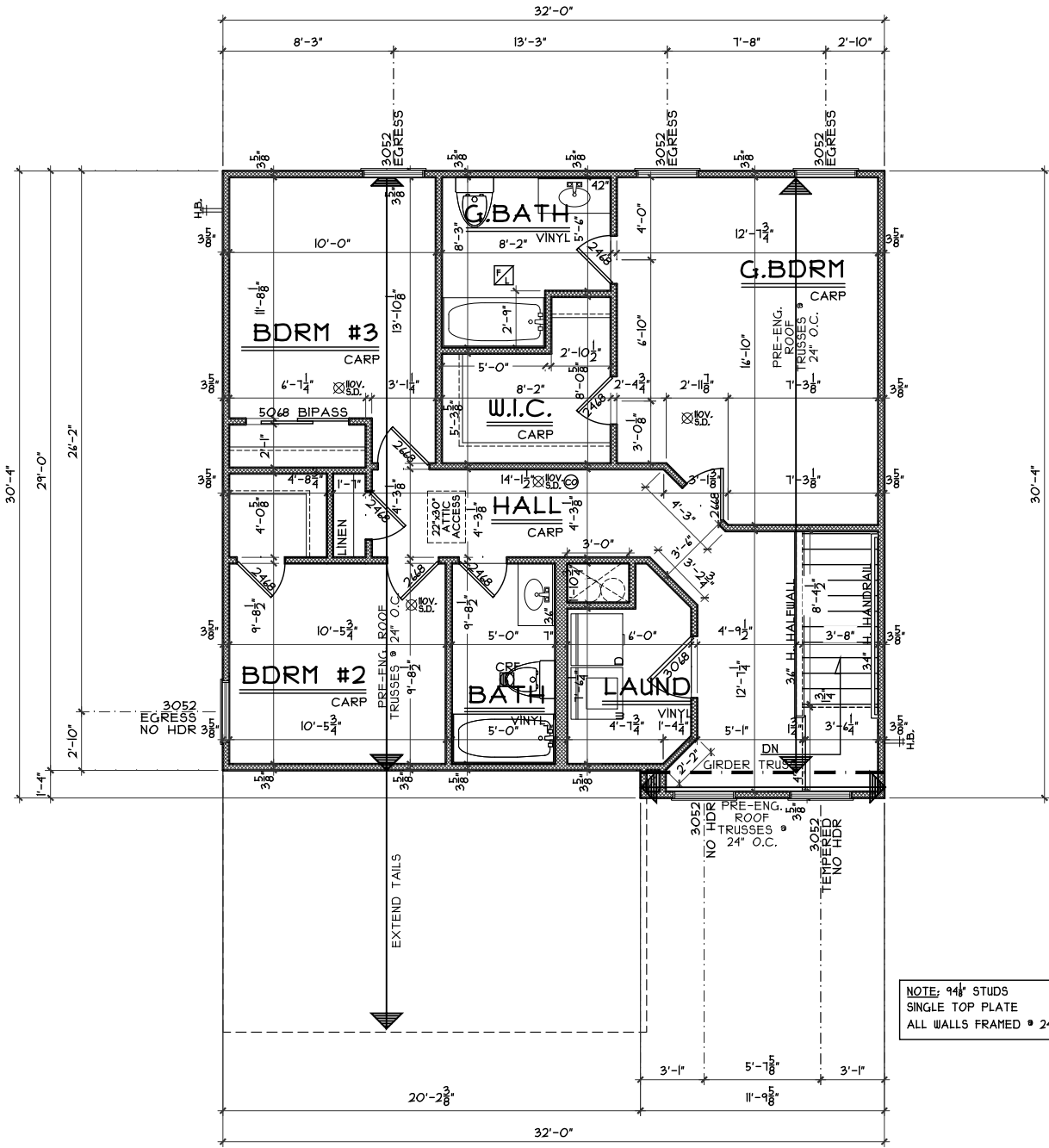
Cristo Homes reserves all property rights in these plans. These plans are not to be reproduced, changed, or copied in any manner. They are not to be given to a third party, either in full or in part, without first receiving written permission from Cristo Homes. In the event these plans are used by a third party, Cristo Homes shall be held harmless.

Carlisle  
 Montgomery County

Review	Issue Dates

A3

NOTE: ■ DENOTES BEARING CRIPPLES, THERE SHOULD BE ONE CRIPPLE FOR EACH BEARING MEMBER, CONTINUOUS TO SOLID BEARING BELOW.



SECOND FLOOR PLAN  
SCALE: 1/8" = 1'-0" 894 SQ. FT.

Second Floor Plan

Plan: Luxor Basement  
Date: 3.12.2024  
Drawn: JRK  
Scale: As Noted  
Revised: 4.17.2024  
Sheet: 6 of 9



Renaissance - WV-70

Proposed Residence:

Waddell Residence  
1409 Edinburg Court  
Waterbury Village Lot 70

Luxor Basement - C1 - Vinyl

Cristo Homes reserves all property rights in these plans. These plans are not to be reproduced, changed, or copied in any manner. They are not to be given to a third party, either in full or in part, without first receiving written permission from Cristo Homes. In the event these plans are used by a third party, Cristo Homes shall be held harmless.

Issue Dates

Review

Carlisle  
Montgomery County

A4