

WV 99
1315 Ellington Court
FRANKLIN, OH 45005

2 story slab

2 hose bibs - valves required

AA on kit sink

1 tub

1 shower

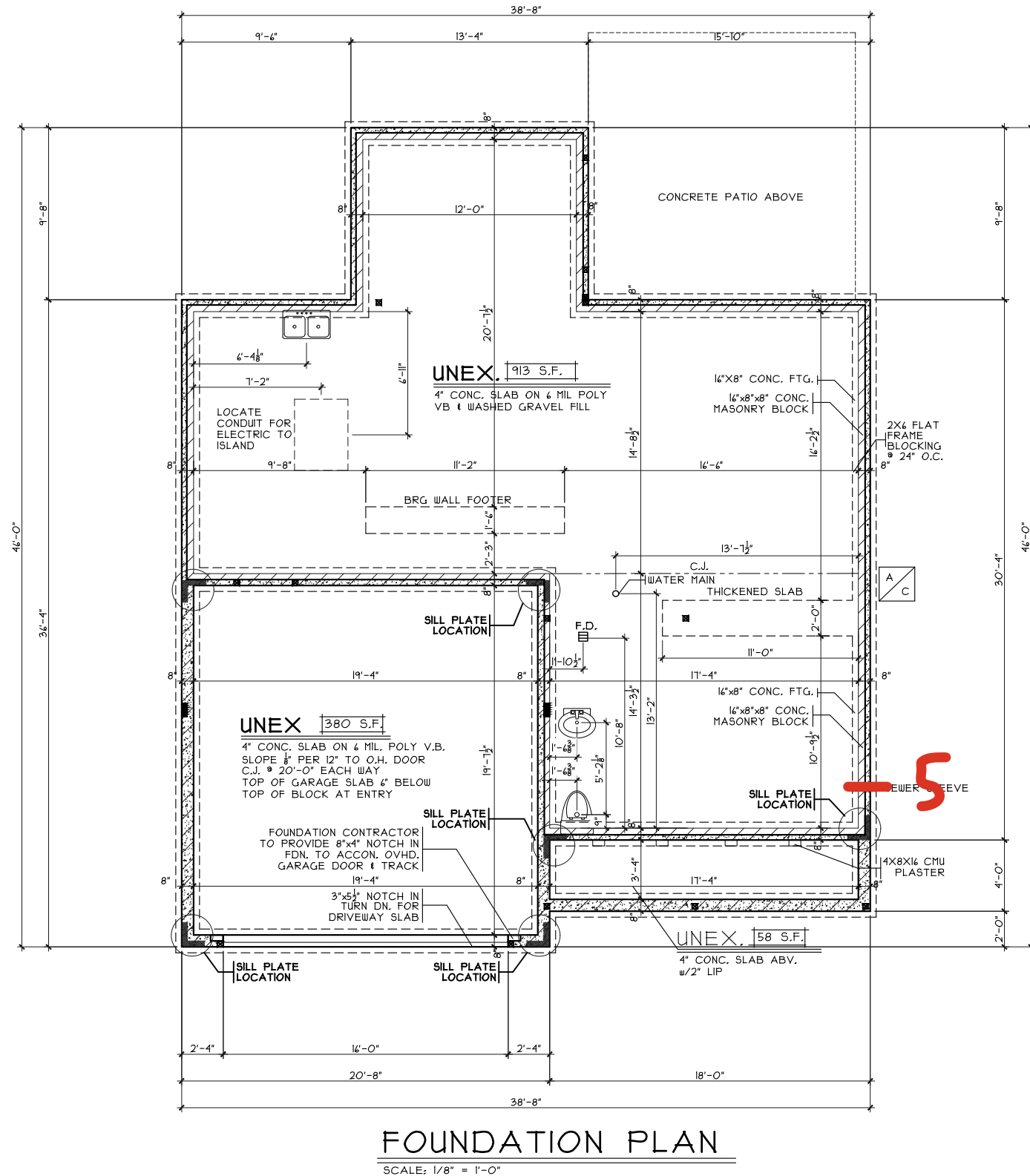
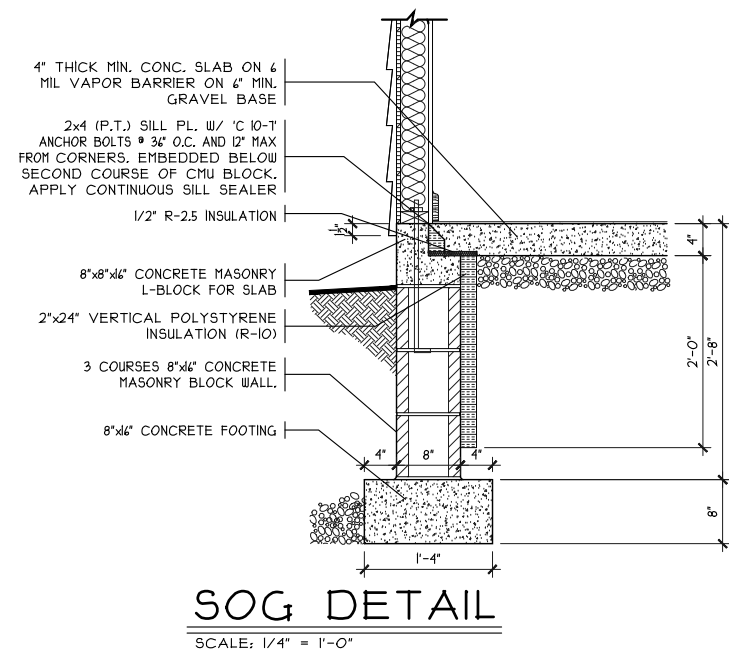
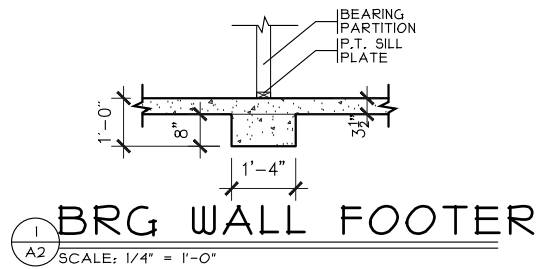
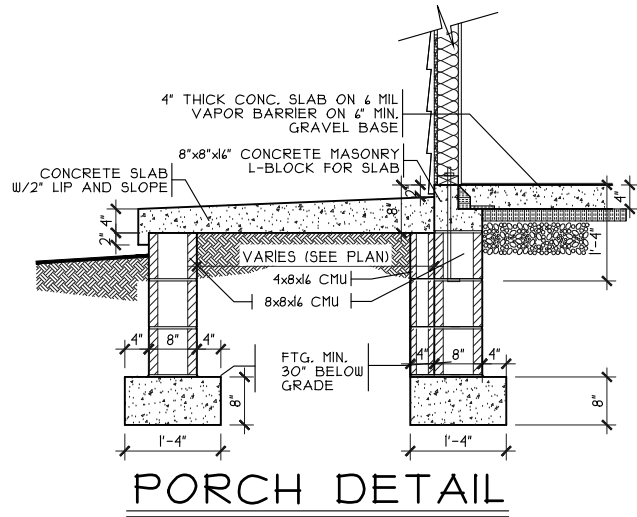
Water softner Rough

Laundry tub

Well Tank - No expansion tank , no pressure
valve , no dual check valve !!

ice maker

Gas Furnace



Foundation Plan
 Plan: Beaumont Slab
 Date: 6.5.2024
 Drawn: JRK
 Scale: As Noted
 Revised: 6.10.2024
 Sheet: 3 of 8

Renaissance - WV-99
 Proposed Residence:
 Flemming Residence
 1315 Ellington Court
 Waterbury Village Lot 99

Beaumont Slab - E2 - Vinyl
 Carlisle
 Warren County

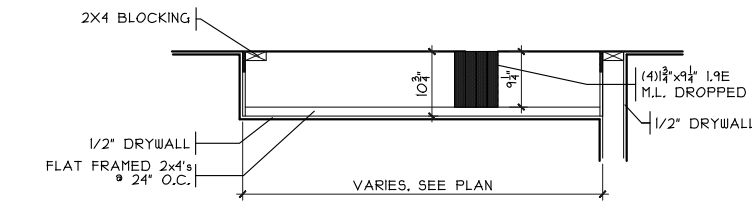
Issue Dates

Review	Date

Cristo Homes reserves all property rights in these plans. These plans are not to be reproduced, changed, or copied in any manner. They are not to be given to a third party, either in full or in part, without first receiving written permission from Cristo Homes. In the event these plans are used by a third party, Cristo Homes shall be held harmless.

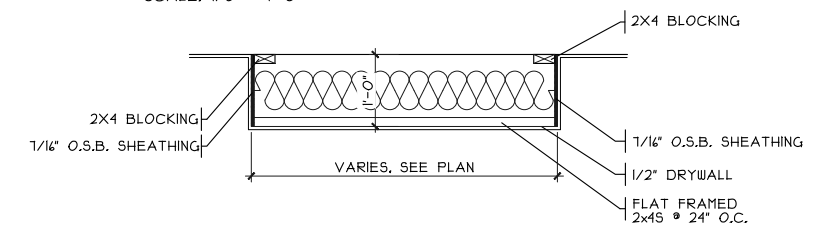
CRISTO HOMES
 7594-A Tylers Place Blvd.
 West Chester, OH 45069
 513.755.0570 www.cristohomes.com

A2



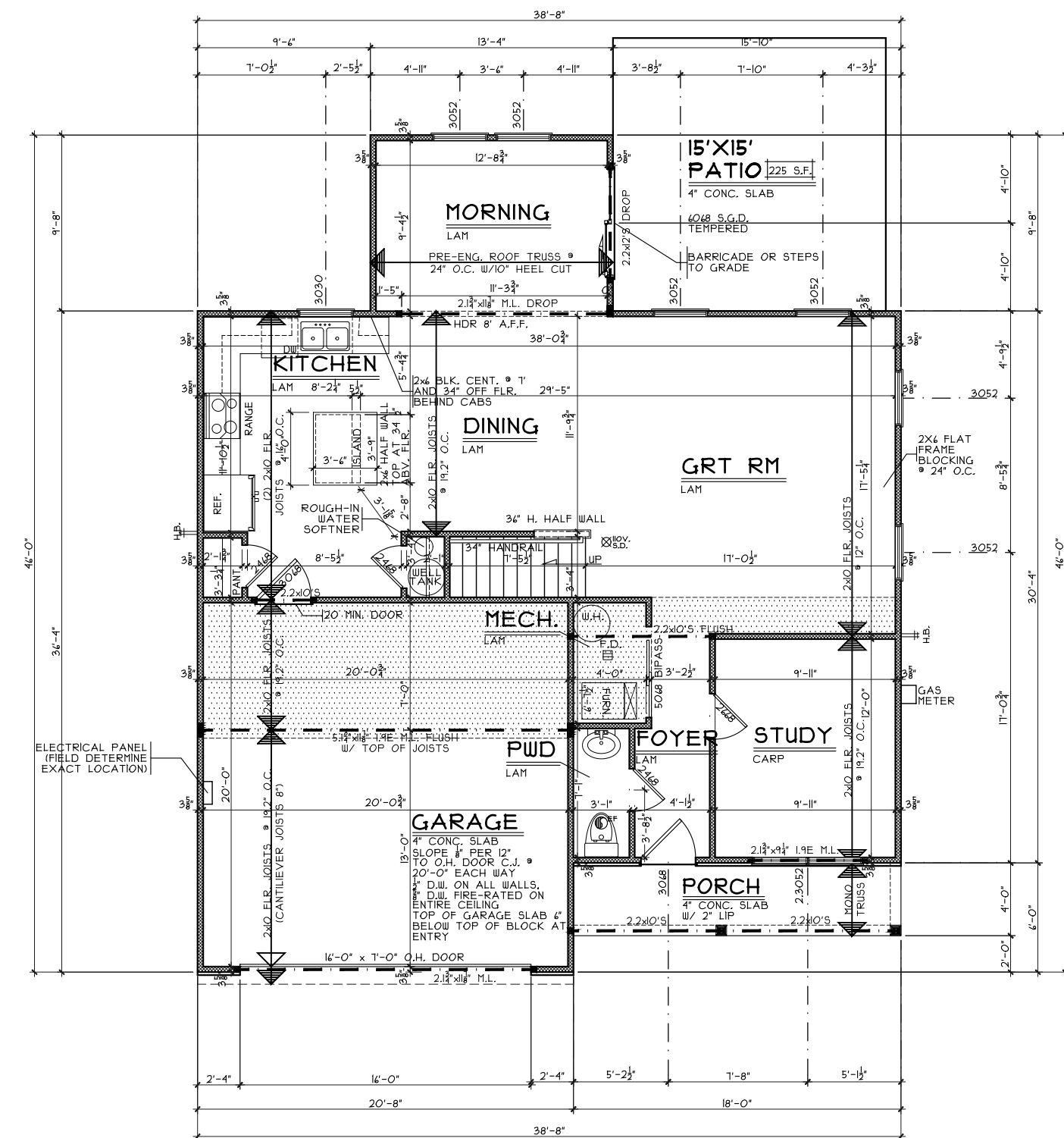
DROP CEILING DETAIL

SCALE: 1/8" = 1'-0"



DROP CLG. DETAIL

SCALE: 1/8" = 1'-0"



FIRST FLOOR PLAN

SCALE: 1/8" = 1'-0" 1010 S.F.

First Floor Plan

Plan: Beaumont Slab
Date: 6.5.2024
Drawn: JRK
Scale: As Noted
Revised: 6.10.2024
Sheet: 4 of 8

Renaissance - WV-99

Proposed Residence:
Fleming Residence
1315 Ellington Court
Waterbury Village Lot 99

Beaumont Slab - E2 - Vinyl

Cristo Homes reserves all property rights in these plans. These plans are not to be reproduced, changed, or copied in any manner. They are not to be given to a third party, either in full or in part, without first receiving written permission from Cristo Homes. In the event these plans are used by a third party, Cristo Homes shall be held harmless.

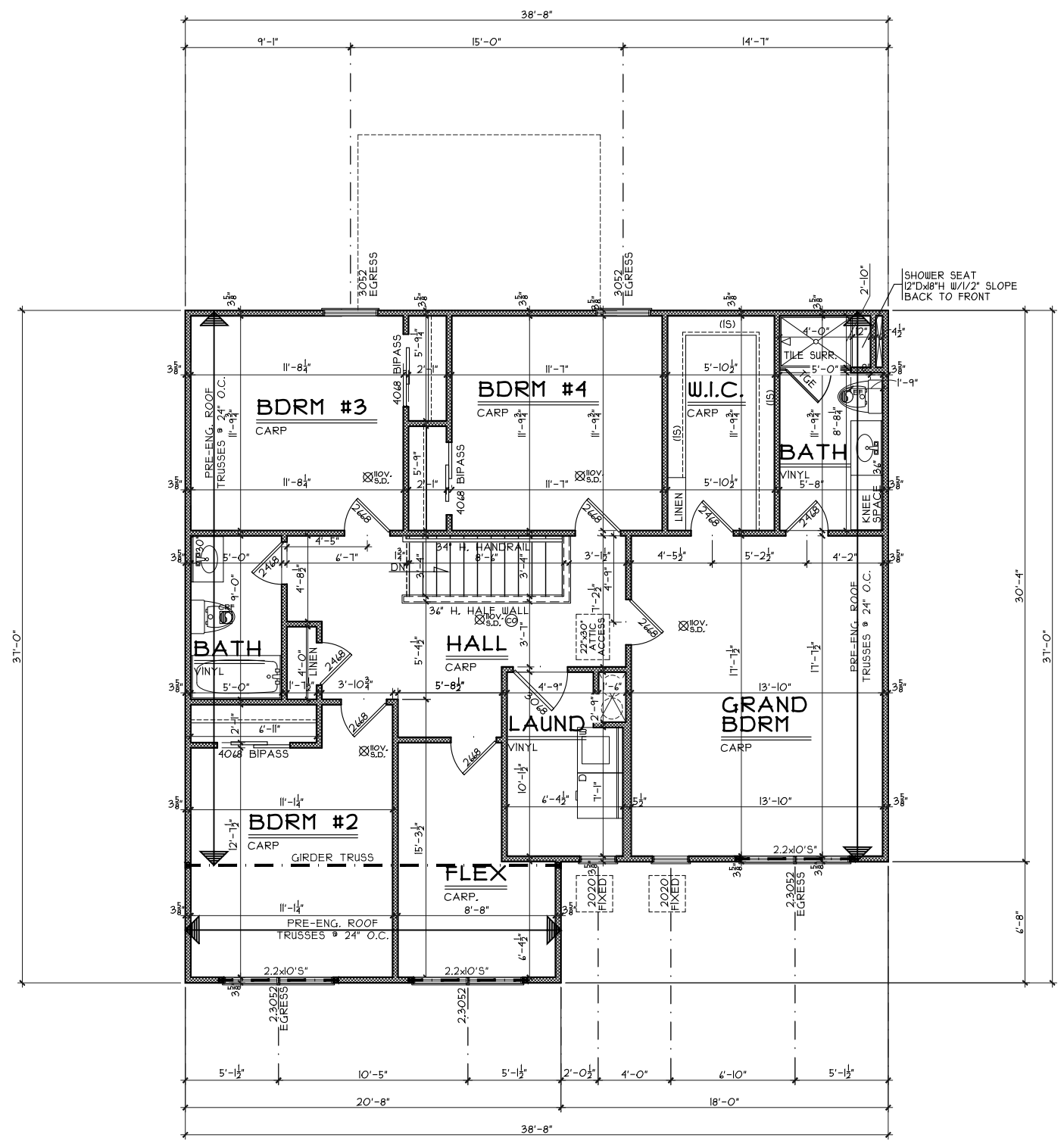
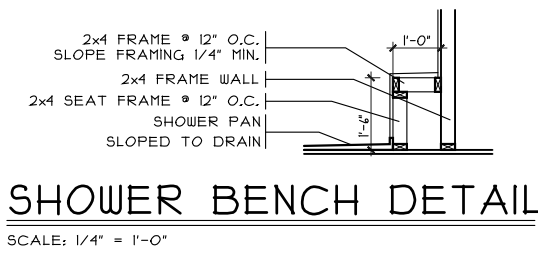
Issue Dates

Review	Issue Dates

A3

CRISTO HOMES
7594-A Tylers Place Blvd.
West Chester, OH 45069
513.755.0570 www.cristohomes.com

Carlisle
Warren County



Second Floor Plan
Plan: Beaumont Slab
Date: 6.5.2024
Drawn: JRK
Scale: As Noted
Revised: 6.10.2024
Sheet: 5 of 8

Proposed Residence:
Fleming Residence
1315 Ellington Court
Waterbury Village Lot 99

CRISTO HOMES
7594-A Tylers Place Blvd.
West Chester, OH 45069
513.755.0570 www.cristohomes.com

Rennaissance - WV-99
Beaumont Slab - E2 - Vinyl

Cristo Homes reserves all property rights in these plans. These plans are not to be reproduced, changed, or copied in any manner. They are not to be given to a third party, either in full or in part, without first receiving written permission from Cristo Homes. In the event these plans are used by a third party, Cristo Homes shall be held harmless.

Carlisle
Warren County

A4